

**TR cabinet**

Catalogue number(s):  
B111(4/9)-0612(42/47/52)-0007(01/02/03/07/08/09/13/14/15/19/20/21)  
B111(4/9)-0812(42/47/52)-0007(04/05/06/10/11/12/16/17/18/22/23/24)



CONTENTS	PAGE
CHARACTERISTICS.....	1
TECHNICAL CHARACTERISTICS.....	1
DIMENSIONS.....	1
DRAWINGS.....	2
OVERALL DIMENSIONS.....	4

**1. CHARACTERISTICS**

**1.1 Cabinets**

Model nr	B111(4/9)
Weight cabinet [kg]	Varies (137 – 182)
Material of frame	Aluminium
Material of doors, side plates and roof	Cold rolled steel (DC01-A-m)
Finishing	Powder coated (polyester epoxy resin)
Height [U]	42, 47, 52
Height [mm]	2028, 2250, 2472
Width [mm]	600, 800
Depth [mm]	1200
Colour	Signal white (RAL 9003), Black (RAL 9005)

**1.2 Reinforced pallet and crate**

Weight reinforced pallet [kg]	62,7
Weight crate [kg]	86, 94
Height [U]	42/47, 52
Height [mm]	2425, 2648
Width [mm]	1095
Depth [mm]	1550

**2. TECHNICAL CHARACTERISTICS**

**2.1 Applicable standards cabinet**

- IEC 60297-3-100 or EIA-310-D/E
- IEC 60950 or ISO/IEC 30129 or EN 50310
- IEC 60529 (IP) and IEC 62262 (IK)
- EN 50600-2-4
- IEC 61587-1

**2.2 Applicable standards reinforced pallet and crate**

- ASTM D4169-22 according to ISTA
- ASTM D4169:D6179 according to ISTA
- ISPM 15

**2.3 Mechanical performance**

Permissible static load: 1500 kg according to IEC 61587-1  
Permissible transport load: 1021 kg (ISTA tested)

**3. DIMENSIONS**

**3.1: White cabinets without packaging crate.**

Product number	Height (U)	Width (mm)	Depth (mm)	Airtight Y / N
B1114-061242-000701	42	600	1200	N
B1114-061247-000702	47	600	1200	N
B1114-061252-000703	52	600	1200	N
B1114-081242-000704	42	800	1200	N
B1114-081247-000705	47	800	1200	N
B1114-081252-000706	52	800	1200	N
B1114-061242-000707	42	600	1200	Y
B1114-061247-000708	47	600	1200	Y
B1114-061252-000709	52	600	1200	Y
B1114-081242-000710	42	800	1200	Y
B1114-081247-000711	47	800	1200	Y
B1114-081252-000712	52	800	1200	Y

**3.2: Black cabinets without packaging crate.**

Product number	Height (U)	Width (mm)	Depth (mm)	Airtight Y / N
B1119-061242-000701	42	600	1200	N
B1119-061247-000702	47	600	1200	N
B1119-061252-000703	52	600	1200	N
B1119-081242-000704	42	800	1200	N
B1119-081247-000705	47	800	1200	N
B1119-081252-000706	52	800	1200	N
B1119-061242-000707	42	600	1200	Y
B1119-061247-000708	47	600	1200	Y
B1119-061252-000709	52	600	1200	Y
B1119-081242-000710	42	800	1200	Y
B1119-081247-000711	47	800	1200	Y
B1119-081252-000712	52	800	1200	Y

**TR cabinet**

Catalogue number(s):  
B111(4/9)-0612(42/47/52)-0007(01/02/03/07/08/09/13/14/15/19/20/21)  
B111(4/9)-0812(42/47/52)-0007(04/05/06/10/11/12/16/17/18/22/23/24)

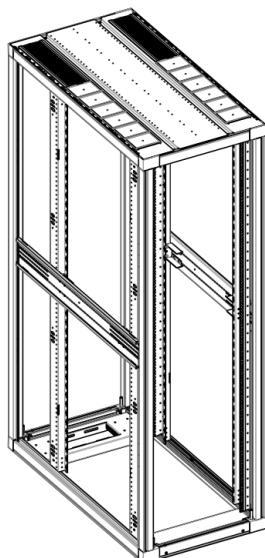
**3.3: White cabinets including packaging crate.**

Product number	Height (U)	Width (mm)	Depth (mm)	Airtight Y / N
B1114-061242-000713	42	600	1200	N
B1114-061247-000714	47	600	1200	N
B1114-061252-000715	52	600	1200	N
B1114-081242-000716	42	800	1200	N
B1114-081247-000717	47	800	1200	N
B1114-081252-000718	52	800	1200	N
B1114-061242-000719	42	600	1200	Y
B1114-061247-000720	47	600	1200	Y
B1114-061252-000721	52	600	1200	Y
B1114-081242-000722	42	800	1200	Y
B1114-081247-000723	47	800	1200	Y
B1114-081252-000724	52	800	1200	Y

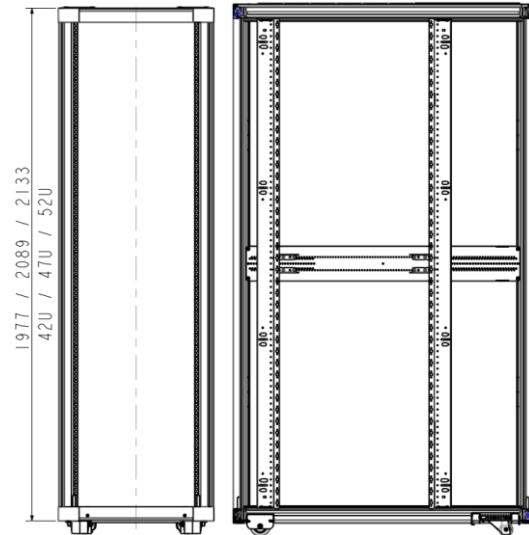
**3.4: Black cabinets including packaging crate.**

Product number	Height (U)	Width (mm)	Depth (mm)	Airtight Y / N
B1119-061242-000713	42	600	1200	N
B1119-061247-000714	47	600	1200	N
B1119-061252-000715	52	600	1200	N
B1119-081242-000716	42	800	1200	N
B1119-081247-000717	47	800	1200	N
B1119-081252-000718	52	800	1200	N
B1119-061242-000719	42	600	1200	Y
B1119-061247-000720	47	600	1200	Y
B1119-061252-000721	52	600	1200	Y
B1119-081242-000722	42	800	1200	Y
B1119-081247-000723	47	800	1200	Y
B1119-081252-000724	52	800	1200	Y

**4. DRAWINGS**

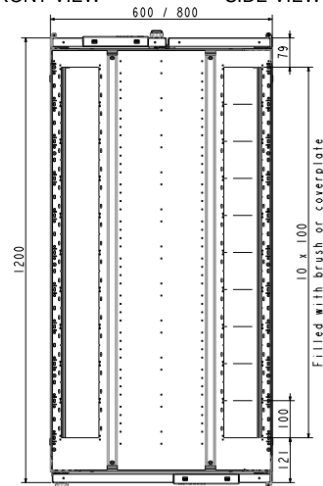


**4.1: Dimensions of cabinet**

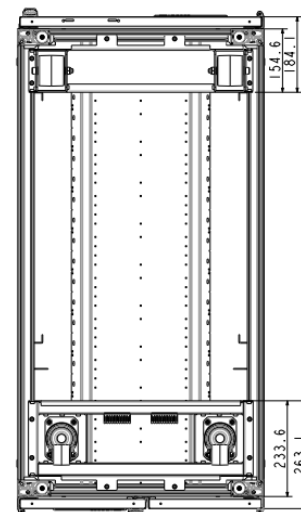


FRONT VIEW

SIDE VIEW



TOP-DOWN VIEW

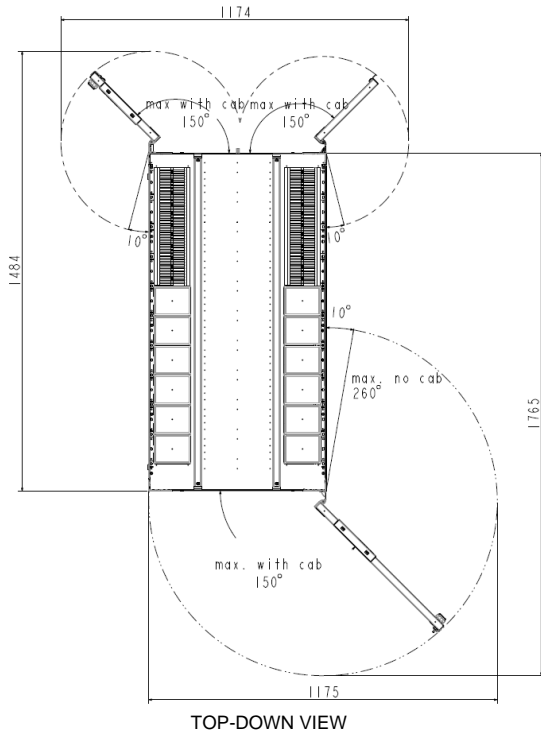


BOTTOM VIEW

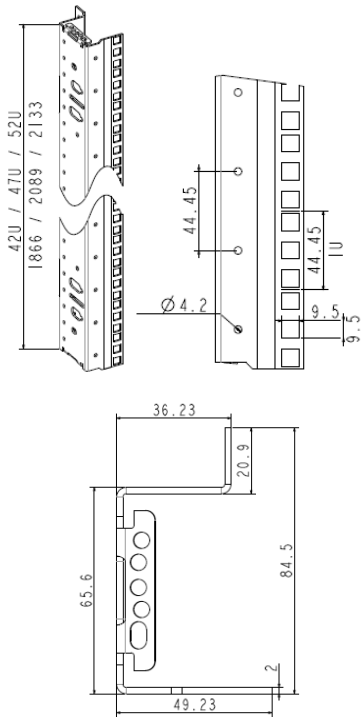
TR cabinet

Catalogue number(s):  
B111(4/9)-0612(42/47/52)-0007(01/02/03/07/08/09/13/14/15/19/20/21)  
B111(4/9)-0812(42/47/52)-0007(04/05/06/10/11/12/16/17/18/22/23/24)

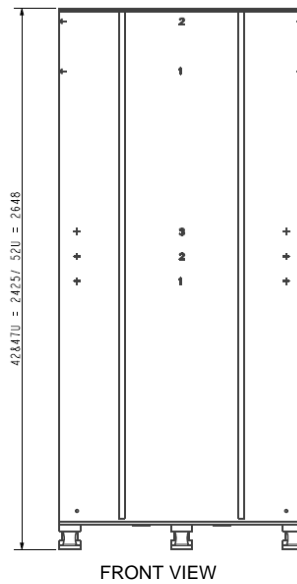
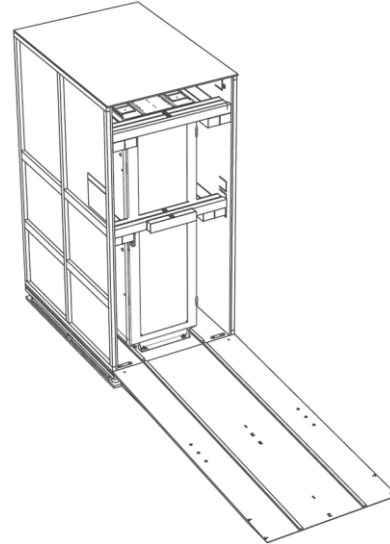
4.2: Dimensions of cabinet including doors



4.3: Dimensions of 19" VMR



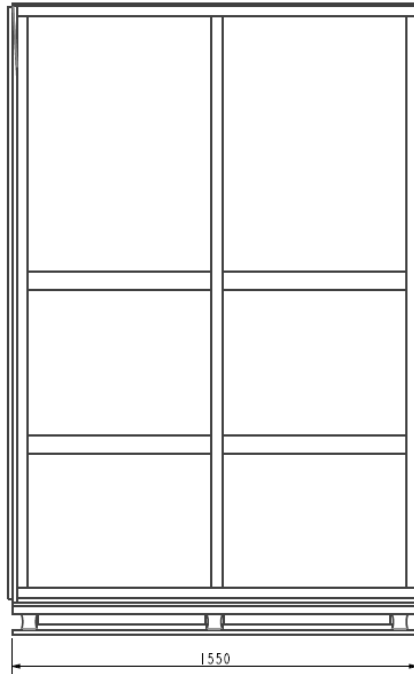
4.4: Dimensions of packaging crate



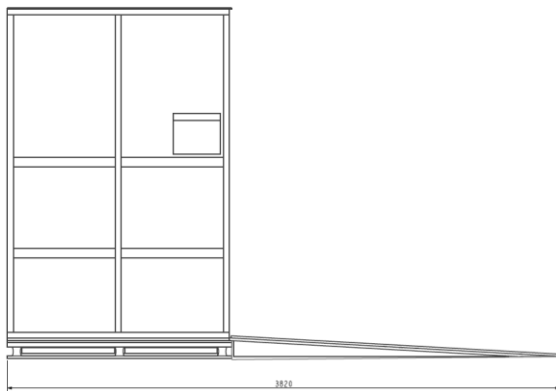
TR cabinet

Catalogue number(s):

B111(4/9)-0612(42/47/52)-0007(01/02/03/07/08/09/13/14/15/19/20/21)  
B111(4/9)-0812(42/47/52)-0007(04/05/06/10/11/12/16/17/18/22/23/24)



SIDE VIEW



SIDE VIEW WITH RAMP

**5. OVERALL DIMENSIONS**

Prod. Nr	H	W <sup>(1)</sup>	D <sup>(1)</sup>	Overall dimensions			
				H1 <sup>(2)</sup>	H2 min / max <sup>(3)</sup>	W	D <sup>(4)</sup>
B111(4/9)-061242-000701	42U	600	1200	2028	2028,9 / 2052,9	600	1142
B111(4/9)-061247-000702	47U	600	1200	2250	2251,2 / 2275,2	600	1142
B111(4/9)-061252-000703	52U	600	1200	2472	2473,4 / 2497,4	600	1142
B111(4/9)-081242-000704	42U	800	1200	2028	2028,9 / 2052,9	800	1142
B111(4/9)-081247-000705	47U	800	1200	2250	2251,2 / 2275,2	800	1142
B111(4/9)-081252-000706	52U	800	1200	2472	2473,4 / 2497,4	800	1142
B111(4/9)-061242-000707	42U	600	1200	2028	2028,9 / 2052,9	600	1142
B111(4/9)-061247-000708	47U	600	1200	2250	2251,2 / 2275,2	600	1142
B111(4/9)-061252-000709	52U	600	1200	2472	2473,4 / 2497,4	600	1142
B111(4/9)-081242-000710	42U	800	1200	2028	2028,9 / 2052,9	800	1142
B111(4/9)-081247-000711	47U	800	1200	2250	2251,2 / 2275,2	800	1142
B111(4/9)-081252-000712	52U	800	1200	2472	2473,4 / 2497,4	800	1142
B111(4/9)-061242-000713	42U	600	1200	2028	2028,9 / 2052,9	600	1142
B111(4/9)-061247-000714	47U	600	1200	2250	2251,2 / 2275,2	600	1142
B111(4/9)-061252-000715	52U	600	1200	2472	2473,4 / 2497,4	600	1142
B111(4/9)-081242-000716	42U	800	1200	2028	2028,9 / 2052,9	800	1142
B111(4/9)-081247-000717	47U	800	1200	2250	2251,2 / 2275,2	800	1142
B111(4/9)-081252-000718	52U	800	1200	2472	2473,4 / 2497,4	800	1142
B111(4/9)-061242-000719	42U	600	1200	2028	2028,9 / 2052,9	600	1142
B111(4/9)-061247-000720	47U	600	1200	2250	2251,2 / 2275,2	600	1142
B111(4/9)-061252-000721	52U	600	1200	2472	2473,4 / 2497,4	600	1142
B111(4/9)-081242-000722	42U	800	1200	2028	2028,9 / 2052,9	800	1142
B111(4/9)-081247-000723	47U	800	1200	2250	2251,2 / 2275,2	800	1142
B111(4/9)-081252-000724	52U	800	1200	2472	2473,4 / 2497,4	800	1142

<sup>(1)</sup> Designated dimensions

<sup>(2)</sup> Without level adjustment feet

<sup>(3)</sup> With level adjustment feet (+19 to 39 mm)

<sup>(4)</sup> Without doors