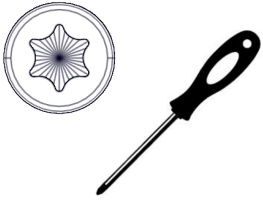


Mid roof cover radius

## Tools

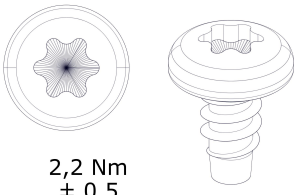
---



T25

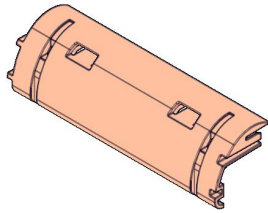
## Components

---

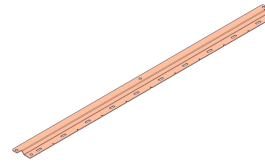


2,2 Nm  
 $\pm 0,5$

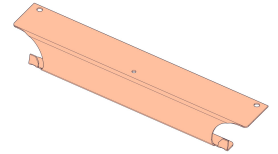
ST 4,2 x 8 (T25)



10047

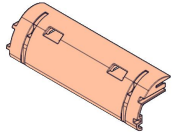
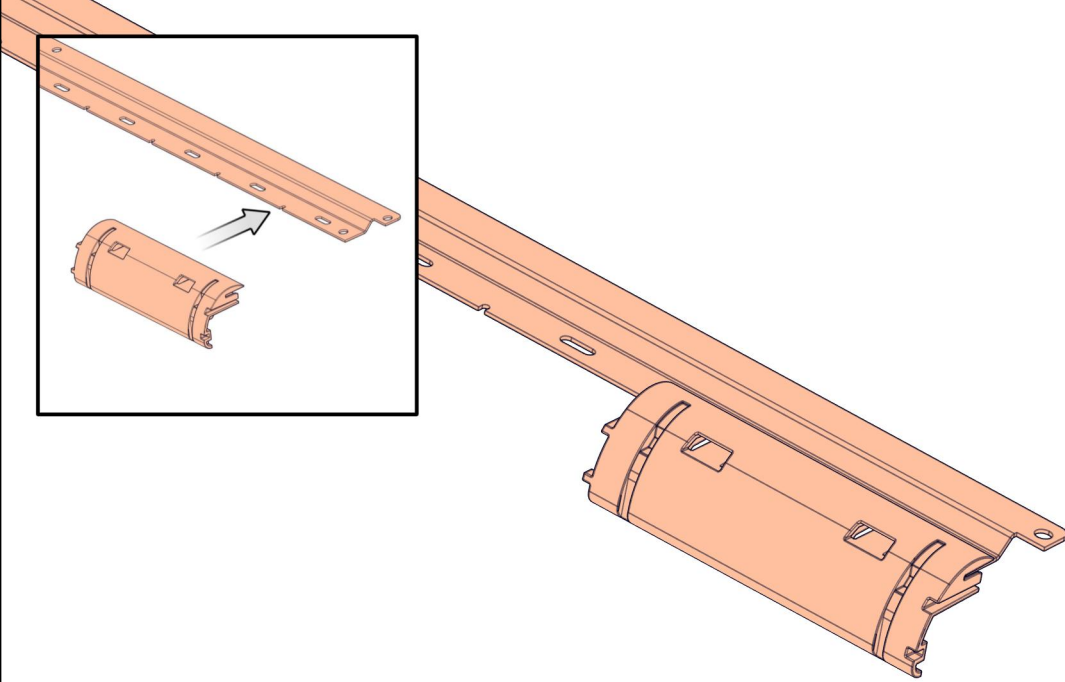


1004W

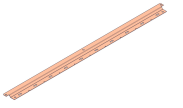


1004X

1.1



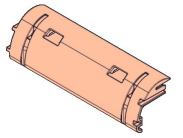
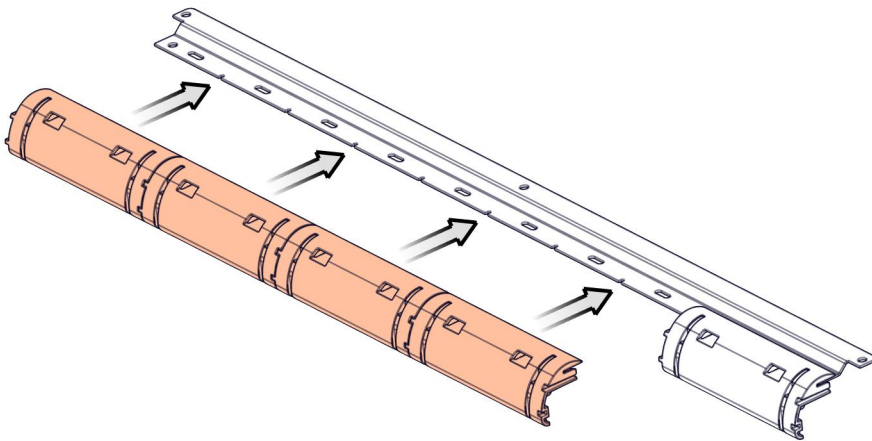
10047



1004W

N-000035-2/000965-2

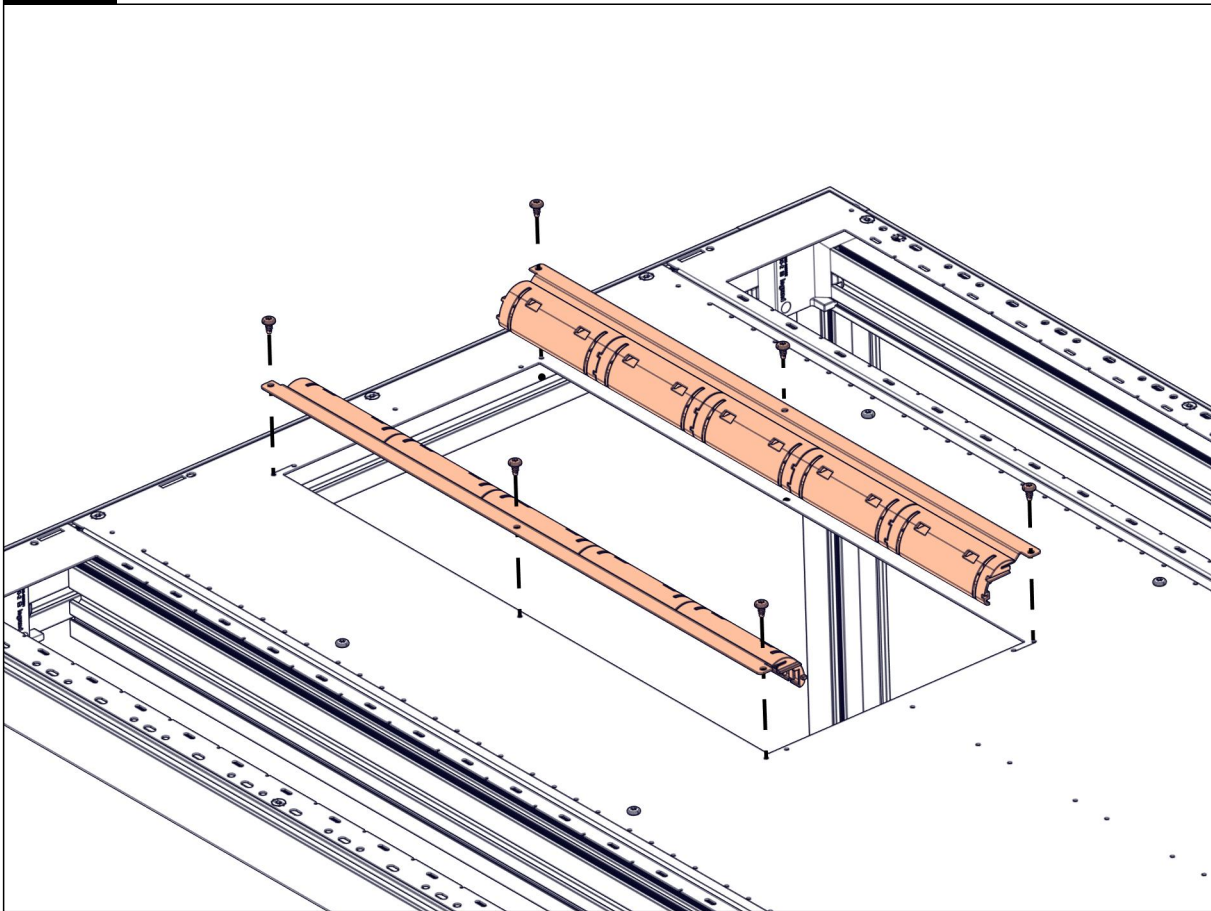
1.2

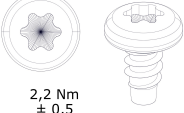


10047


N-000035-2/000965-2

1.3



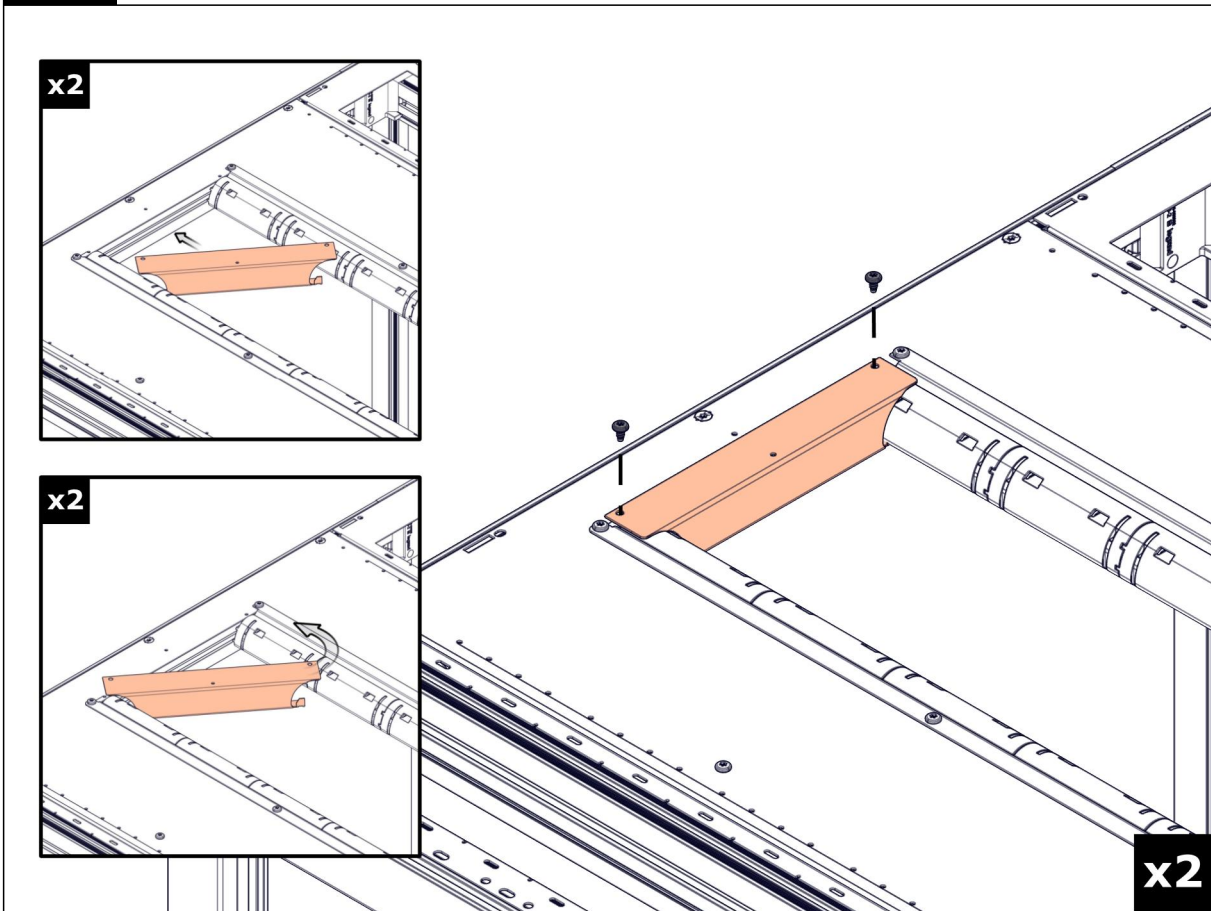
  
 2,2 Nm  
 ± 0,5  
 ST 4,2 x 8 (T25)

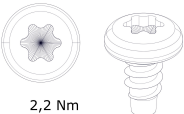
---

  
 T25

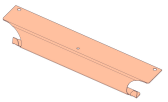
N-000035-2/000965-2

1.4




  
 2,2 Nm  
 ± 0,5  
 ST 4,2 x 8 (T25)

---

  
 1004X

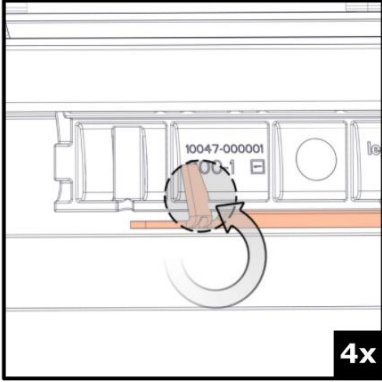
---

  
 T25

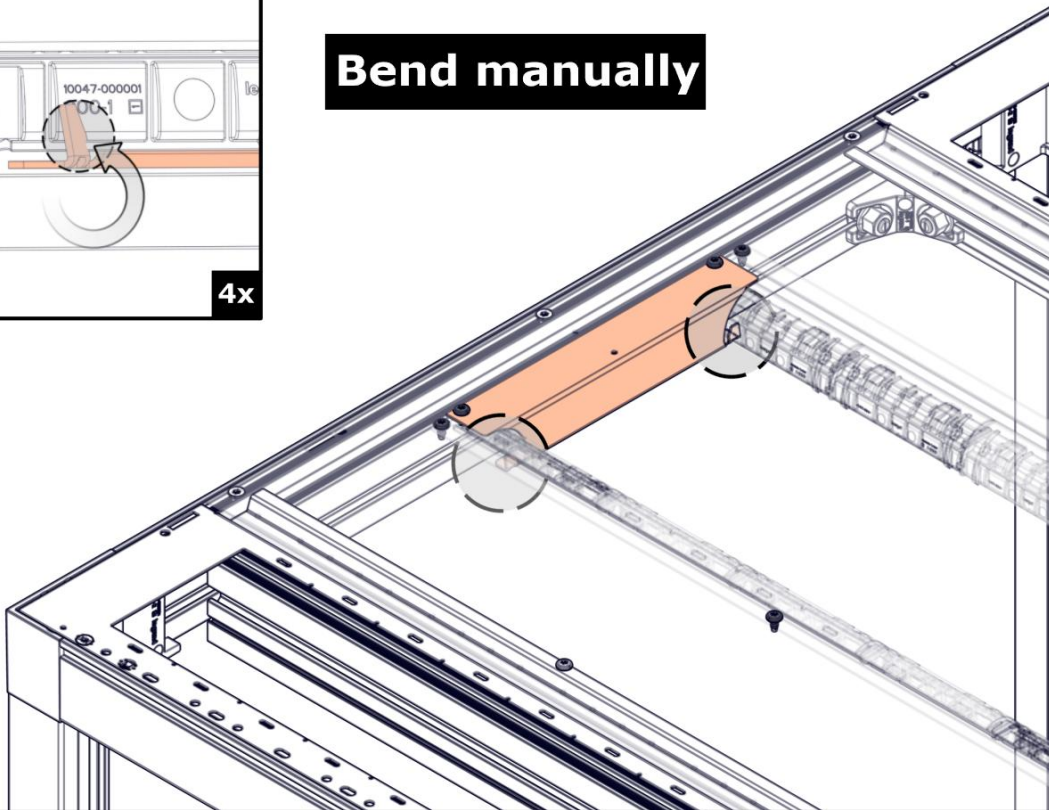
x2

N-000035-2/000965-2

1.5



**Bend manually**



N-000035-2/000965-2







A brand of  **legrand**

**Minkels Nederland**

Eisenhowerweg 12

Postbus 28

5460 AA Veghel

Nederland

email: [info@minkels.com](mailto:info@minkels.com)

tel: +31 (0)413 311 100