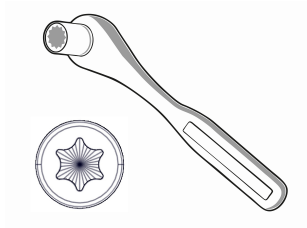
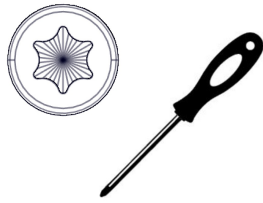


Base Plinth

## Tools

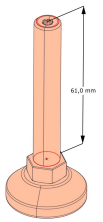


T45

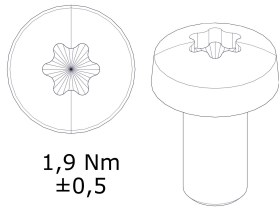


T25

## Components

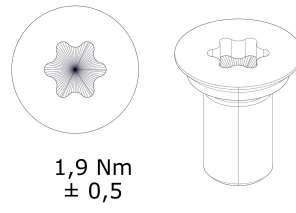


10007-000002 (M10x61mm)



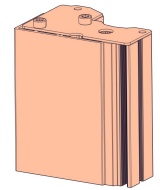
1,9 Nm  
 $\pm 0,5$

M5 x 10 Tapt (T25)

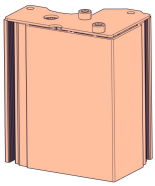


1,9 Nm  
 $\pm 0,5$

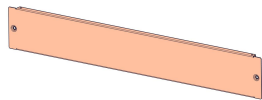
M5 x 10 (T25)



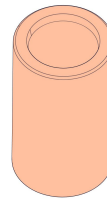
101D9-000001



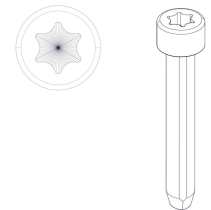
101D9-000002



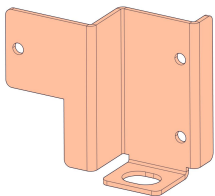
101DA



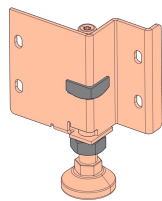
101DV



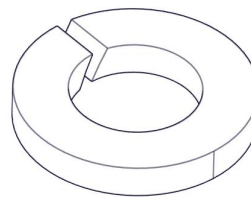
M8 x 50 (T45)



101T5 (2xL, 2xR)

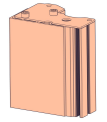
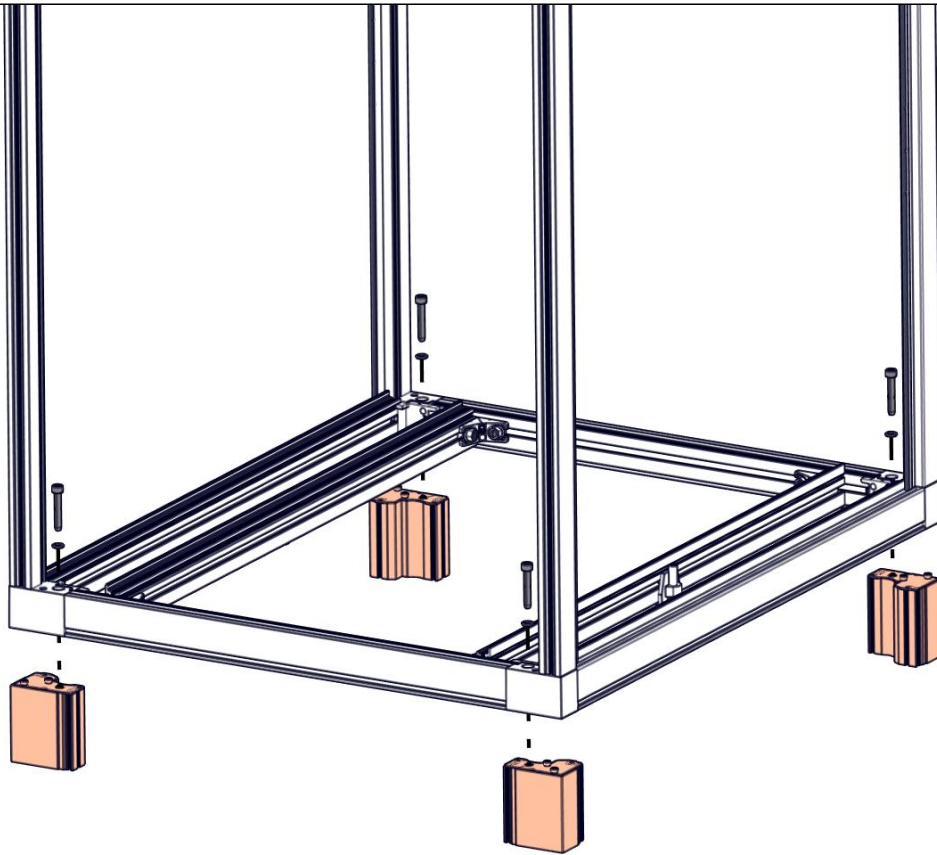


101T6 (2xL, 2xR)

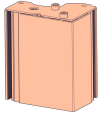


M8

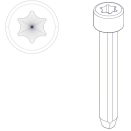
1.1



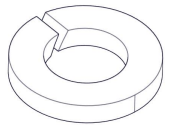
101D9-000001



101D9-000002



M8 x 50 (T45)



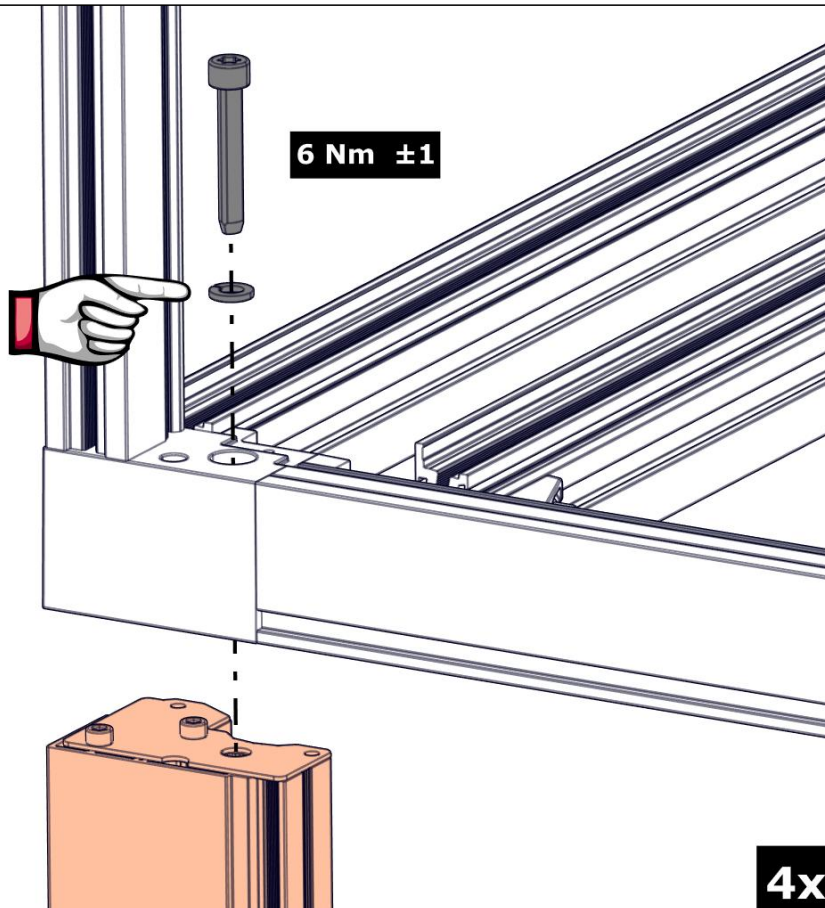
M8



T45

N-000059-2/000996-1

1.2

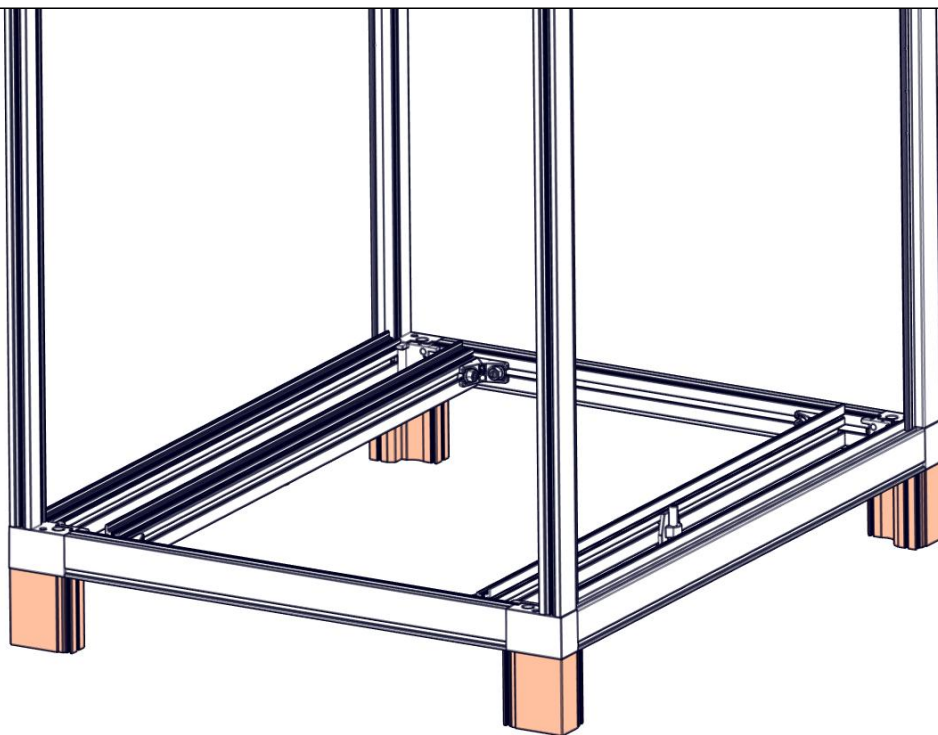


$6 \text{ Nm} \pm 1$

4x

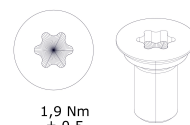
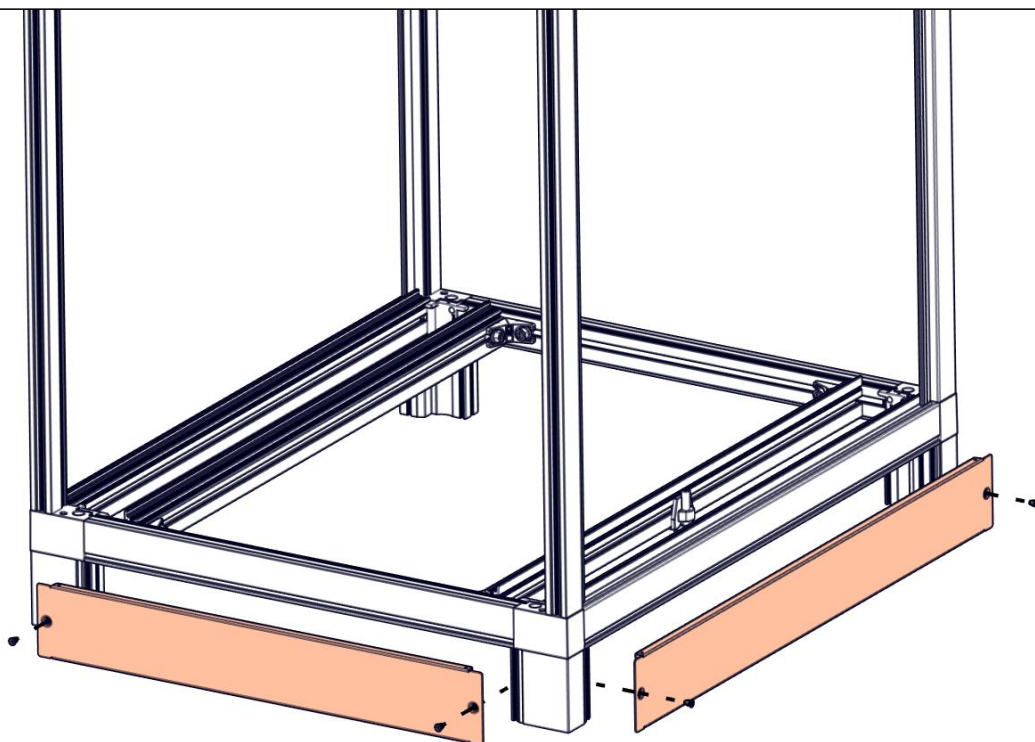
N-000059-2/000996-1

1.3



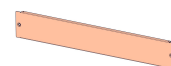
N-000059-2/000986-1

2.1



1,9 Nm  
± 0,5

M5 x 10 (T25)



101DA

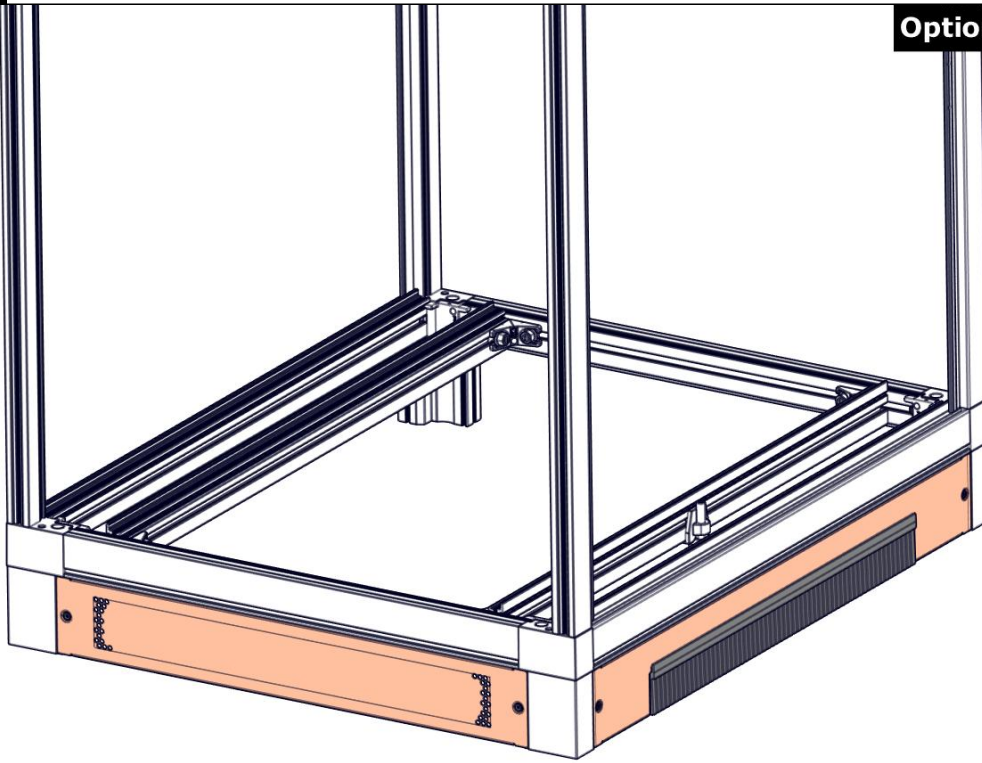


T25

N-000059-2/000987-1

2.2

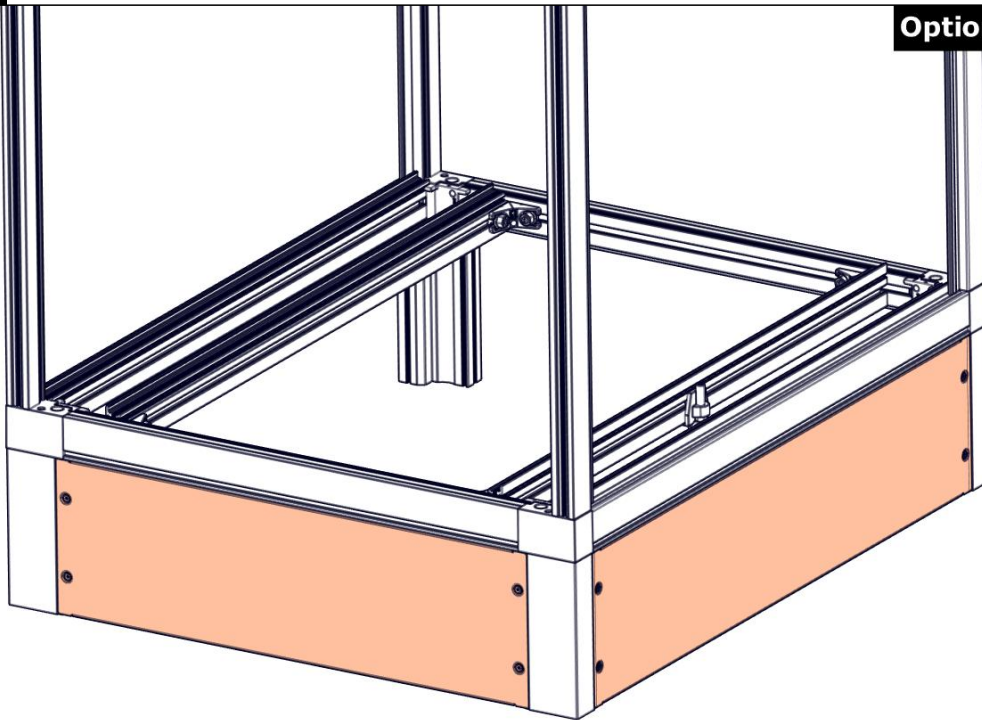
Options h100



N-000059-2/000987-1

2.3

Options h200

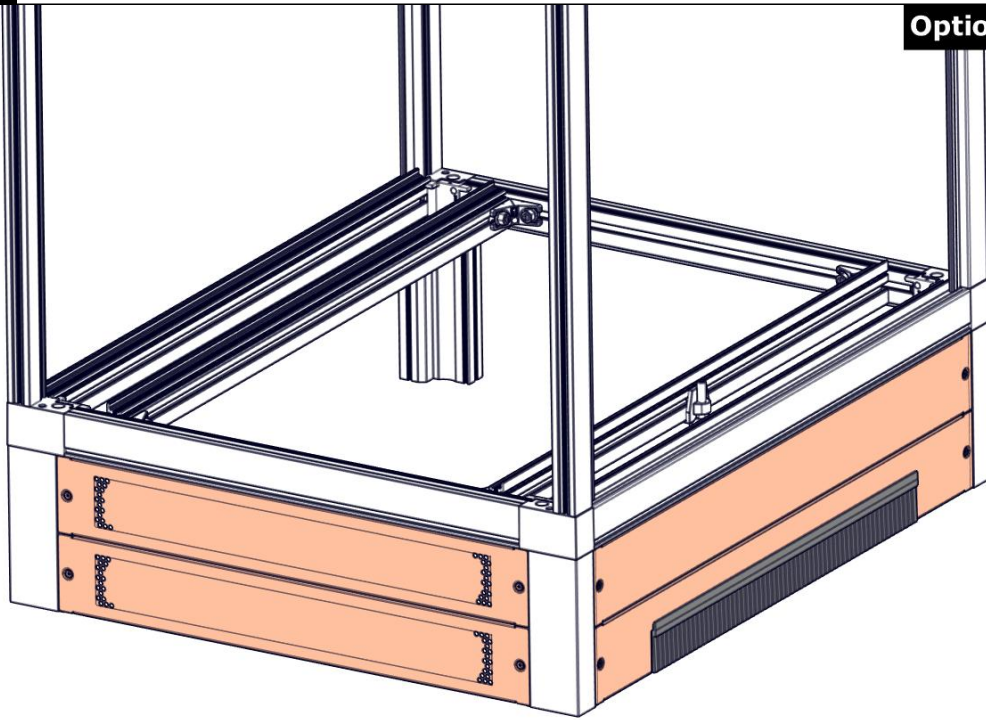


N-000059-2/000987-1



2.4

Options h200



N-000059-2/000987-1

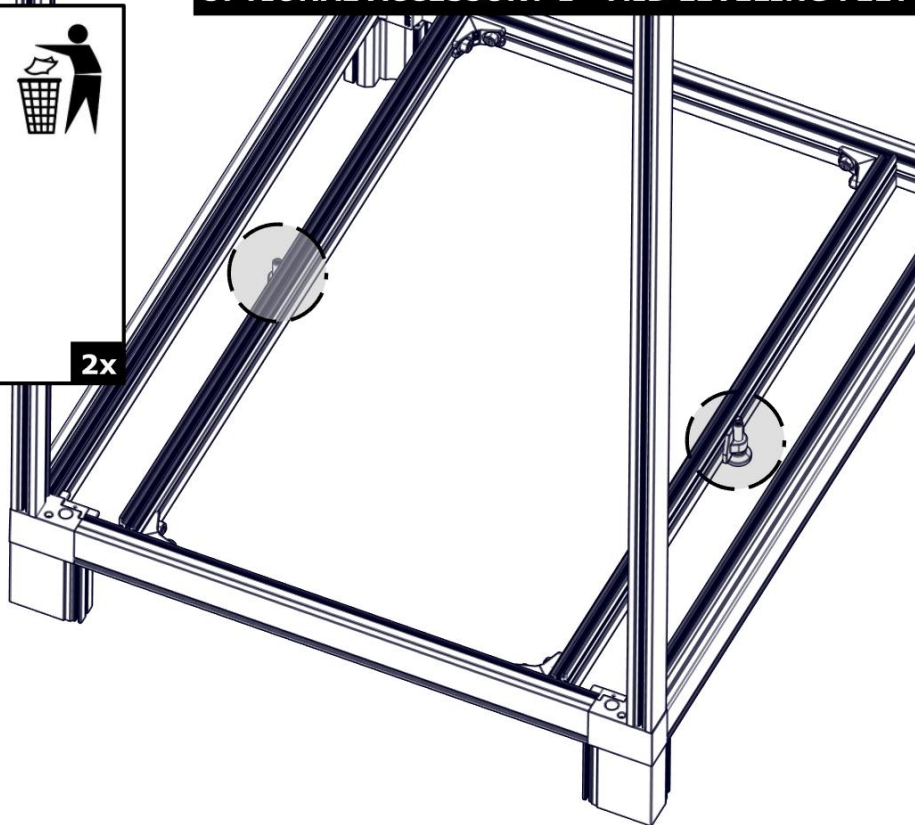
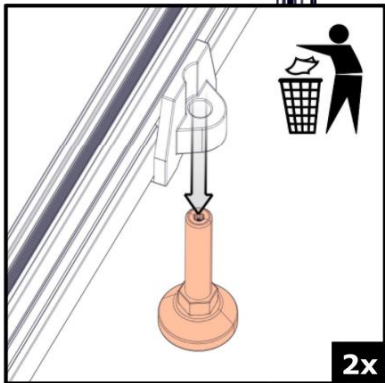
3.1

*(this step intentionally left blank)*

N-000059-2/001000-0

4.1

**OPTIONAL ACCESSORY 1 - MID LEVELING FEET**

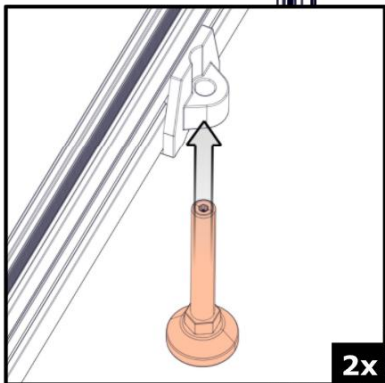


T25

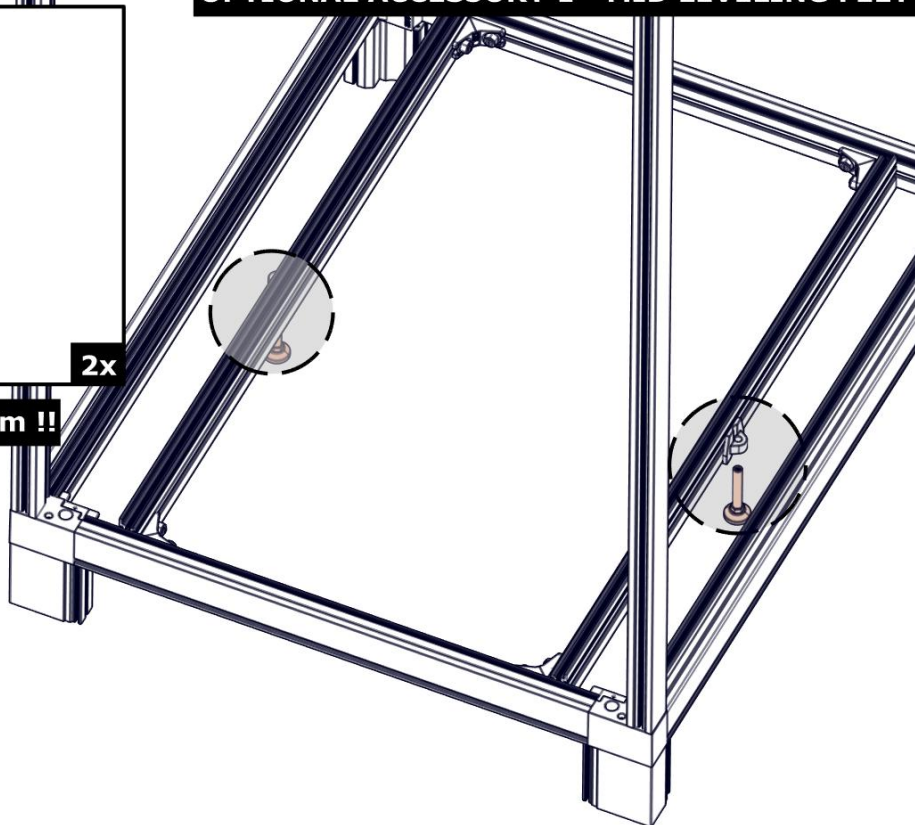
N-000059-2/001001-0

4.2

**OPTIONAL ACCESSORY 1 - MID LEVELING FEET**



**!! M10x61mm !!**



10007-000002 (M10x61mm)

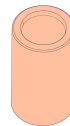
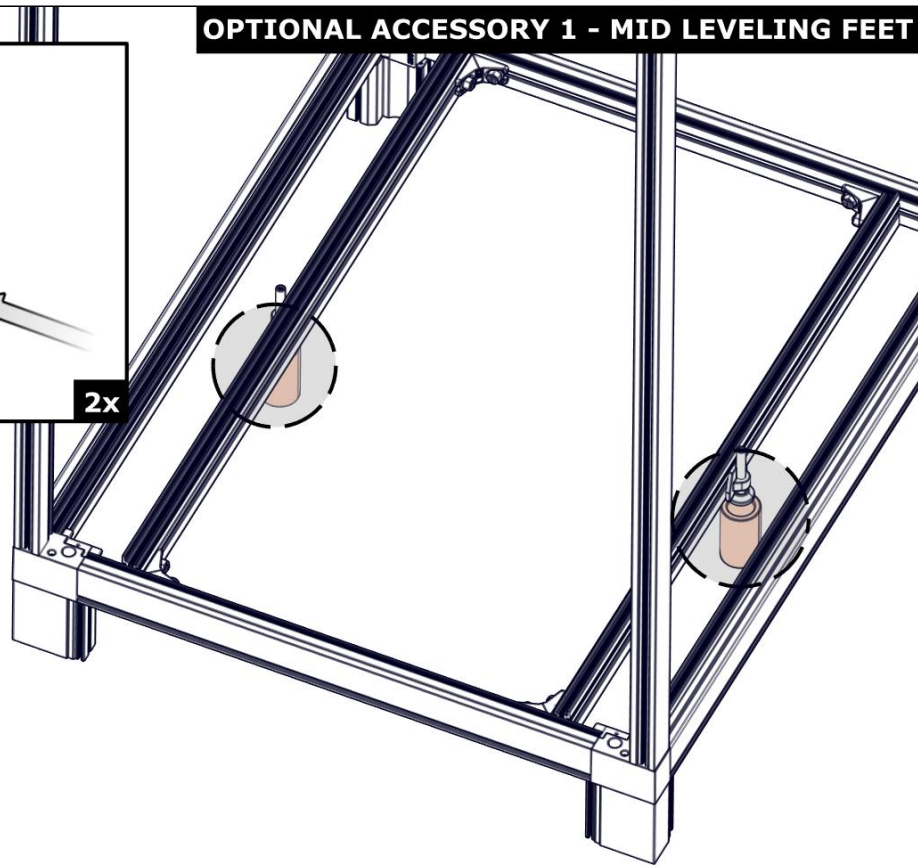
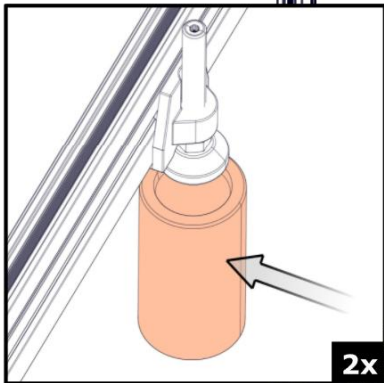


T25

N-000059-2/001001-0

4.3

**OPTIONAL ACCESSORY 1 - MID LEVELING FEET**

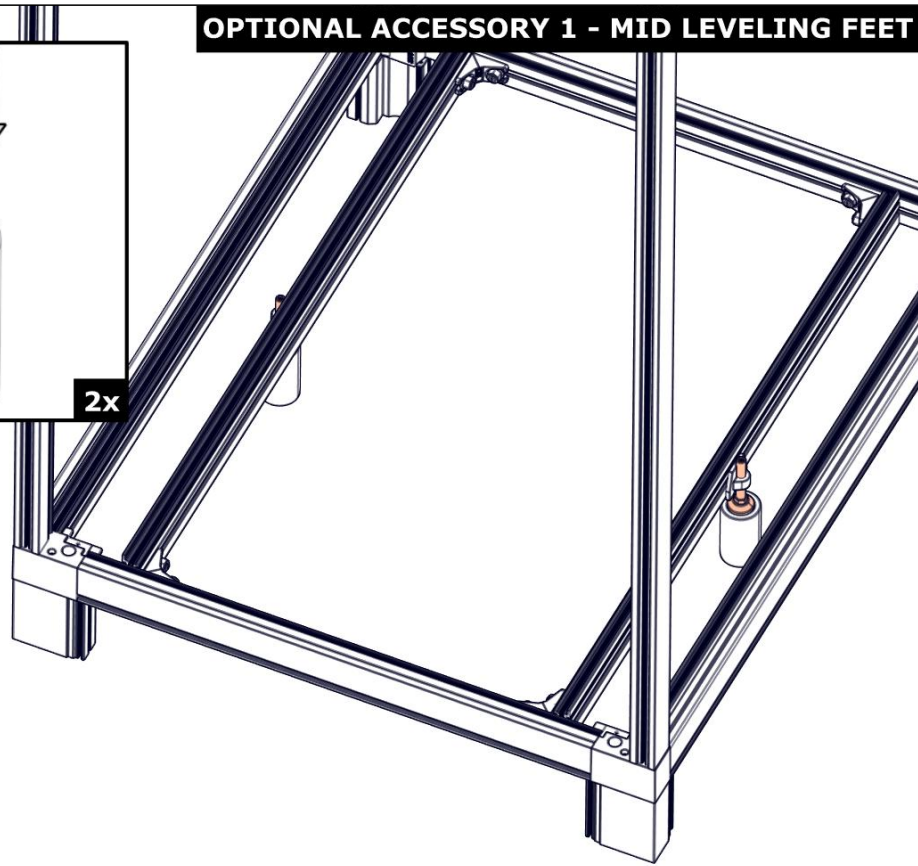
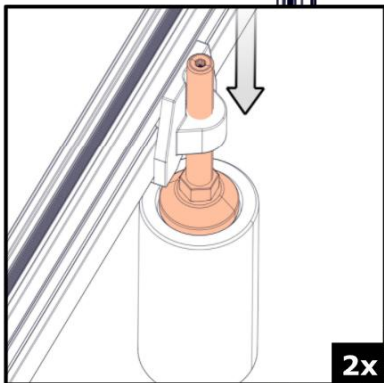


101DV

N-000059-2/001001-0

4.4

**OPTIONAL ACCESSORY 1 - MID LEVELING FEET**



T25

N-000059-2/001001-0



5.1

*(this step intentionally left blank)*

N-000059-2/001000-0

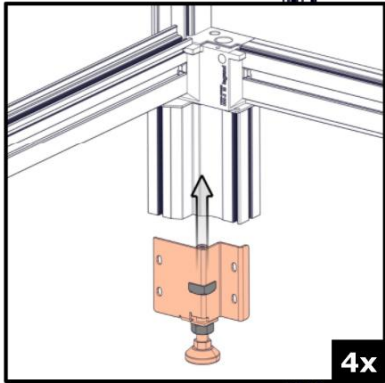
6.1

*(this step intentionally left blank)*

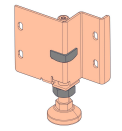
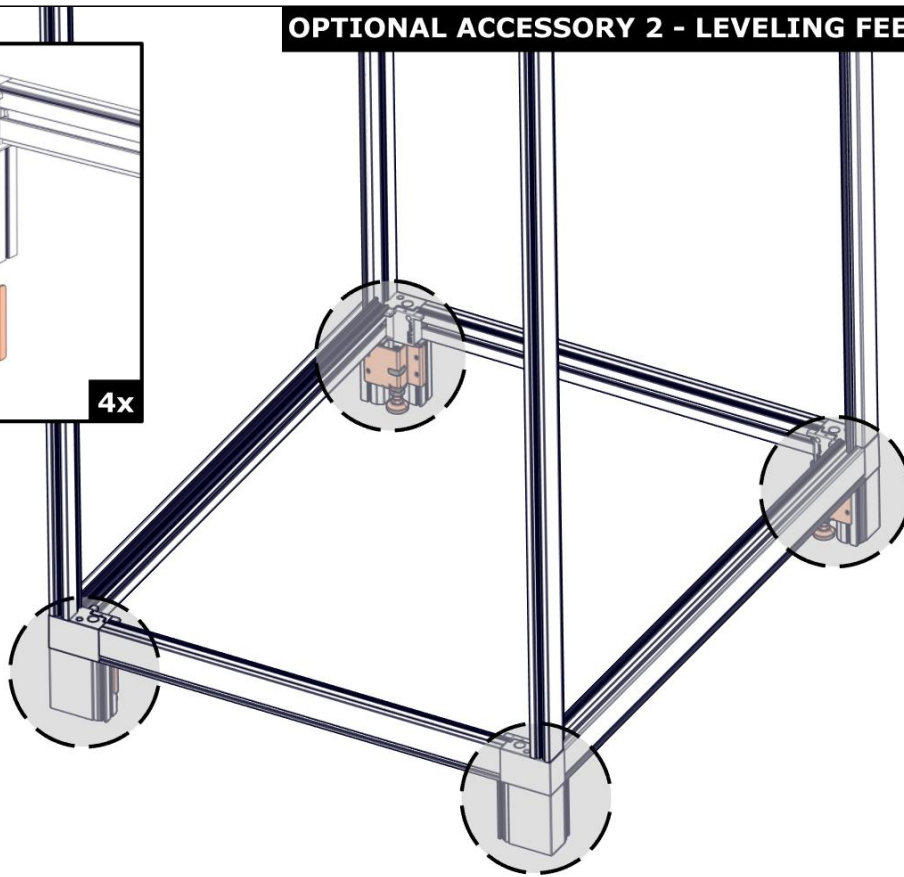
N-000059-2/001000-0

7.1

OPTIONAL ACCESSORY 2 - LEVELING FEET



4x

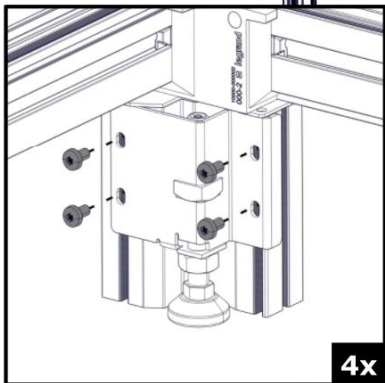


101T6 (2xL, 2xR)

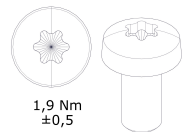
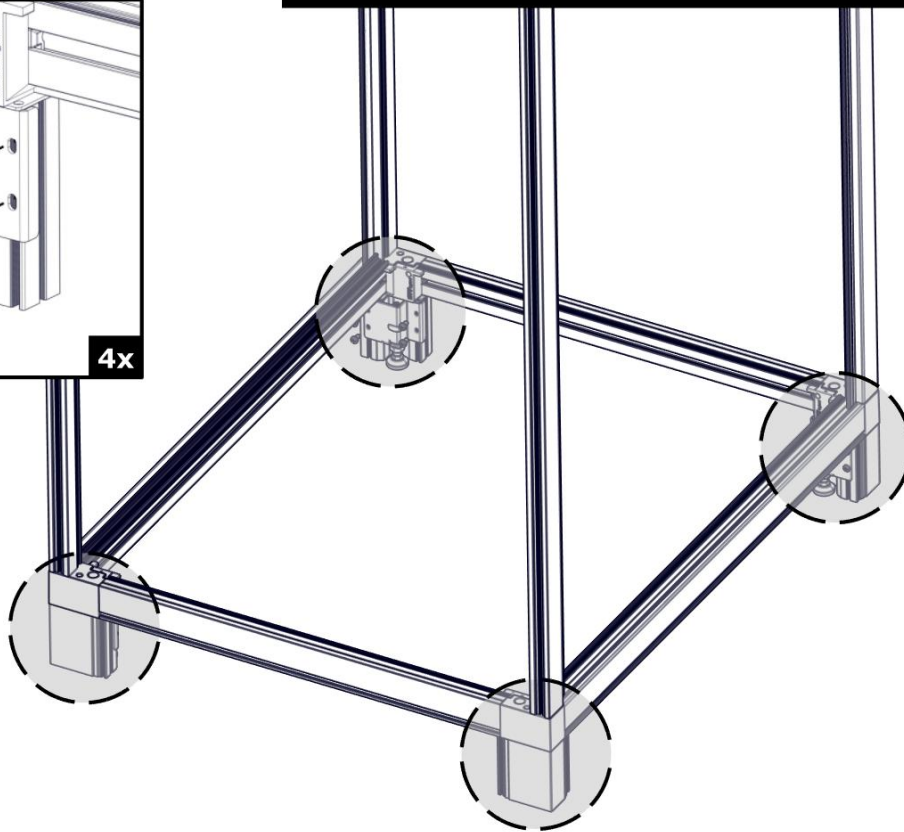
N-000059-2/001002-0

7.2

OPTIONAL ACCESSORY 2 - LEVELING FEET



4x



1,9 Nm  
±0,5

M5 x 10 Tapt (T25)



T25

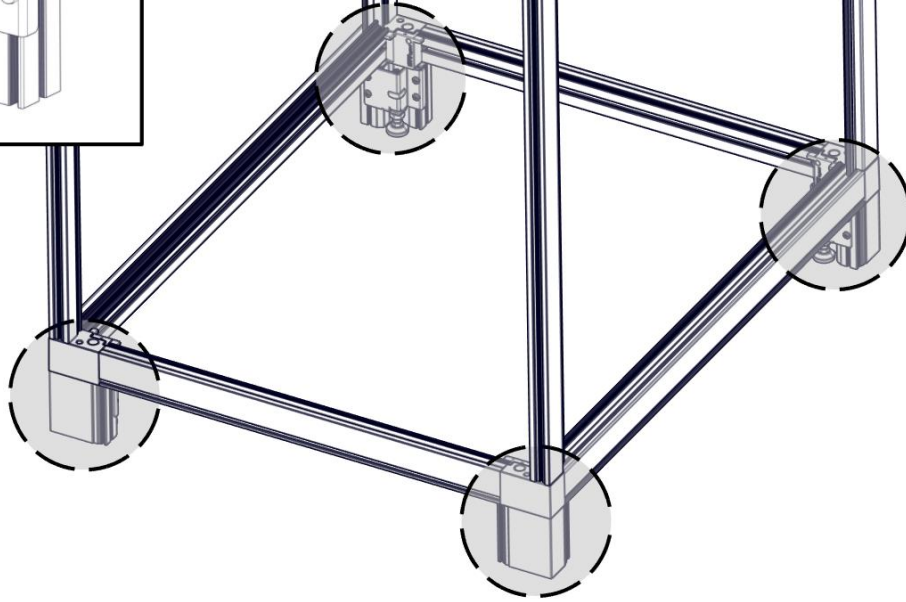
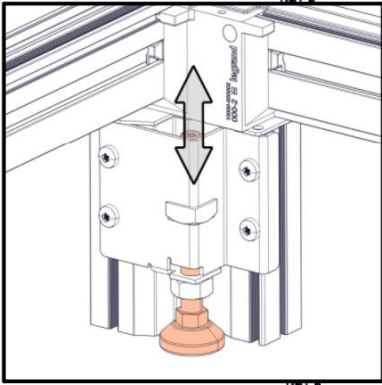
N-000059-2/001002-0

7.3

**OPTIONAL ACCESSORY 2 - LEVELING FEET**



T25



N-000059-2/001002-0

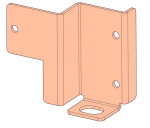
8.1

*(this step intentionally left blank)*

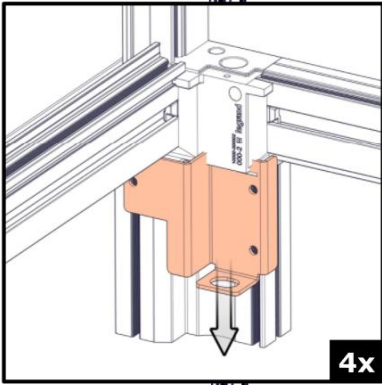
N-000059-2/001000-0

9.1

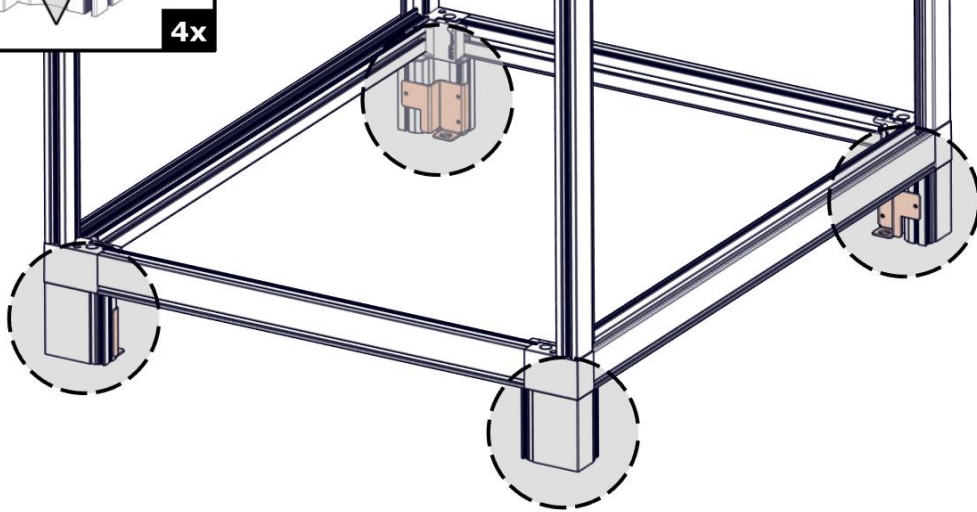
**OPTIONAL ACCESSORY 3 – FLOOR FIXATION**



101T5 (2xL, 2xR)



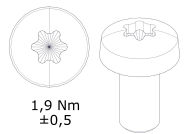
4x



N-000059-2/001003-0

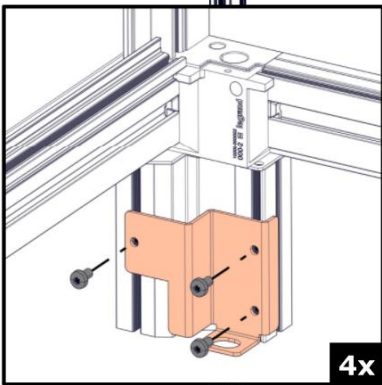
9.2

**OPTIONAL ACCESSORY 3 – FLOOR FIXATION**

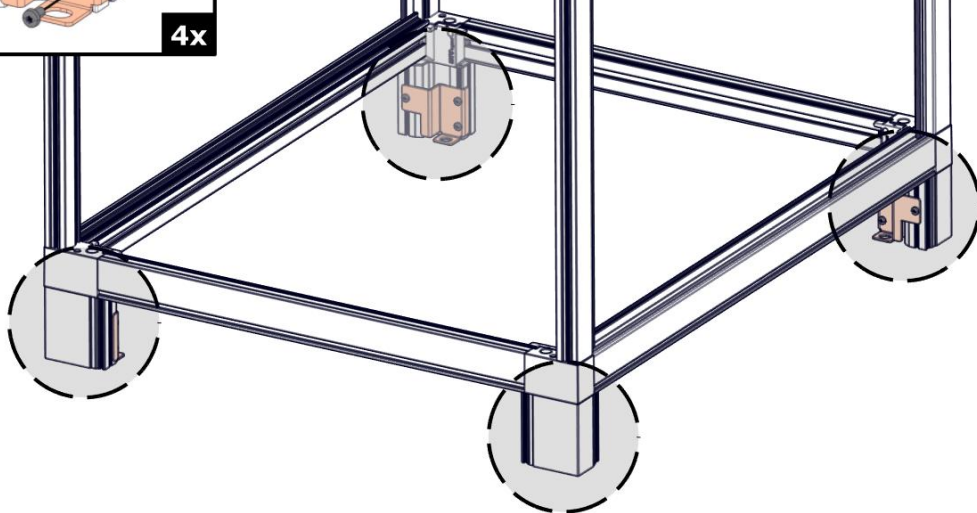


1,9 Nm  
±0,5

M5 x 10 Tap (T25)



4x

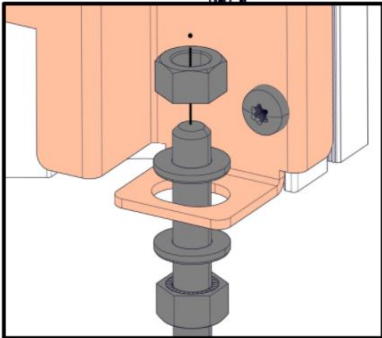


T25

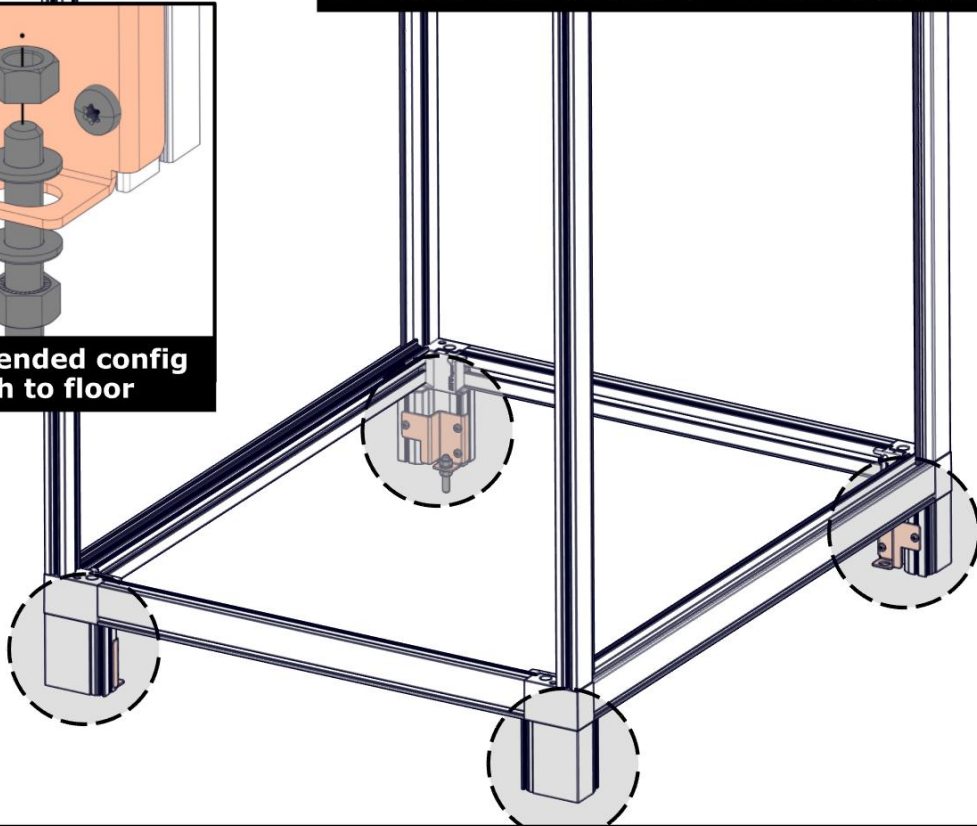
N-000059-2/001003-0



**OPTIONAL ACCESSORY 3 – FLOOR FIXATION**



**Recommended config  
Attach to floor**



**Mounting materials can deviate from picture and are provided by customer**

N-000059-2/001003-0







A brand of  **legrand**

**Minkels Nederland**

Eisenhowerweg 12

Postbus 28

5460 AA Veghel

Nederland

email: [info@minkels.com](mailto:info@minkels.com)

tel: +31 (0)413 311 100