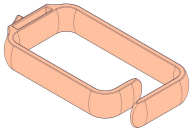


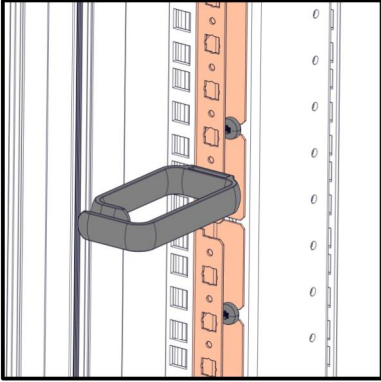
Cable rings

Components

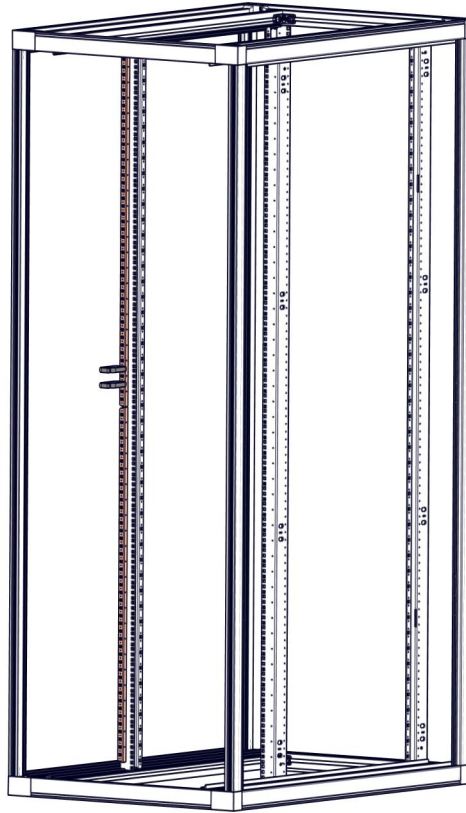


100MH-000001

1.1

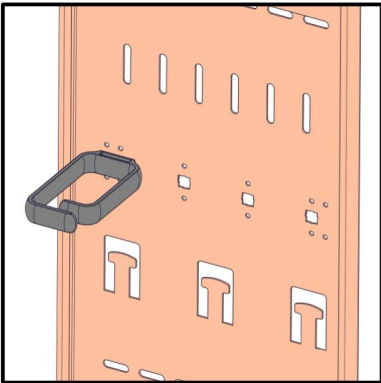


**Mount on VMR
mounting strip
see step 1.3-1.5**

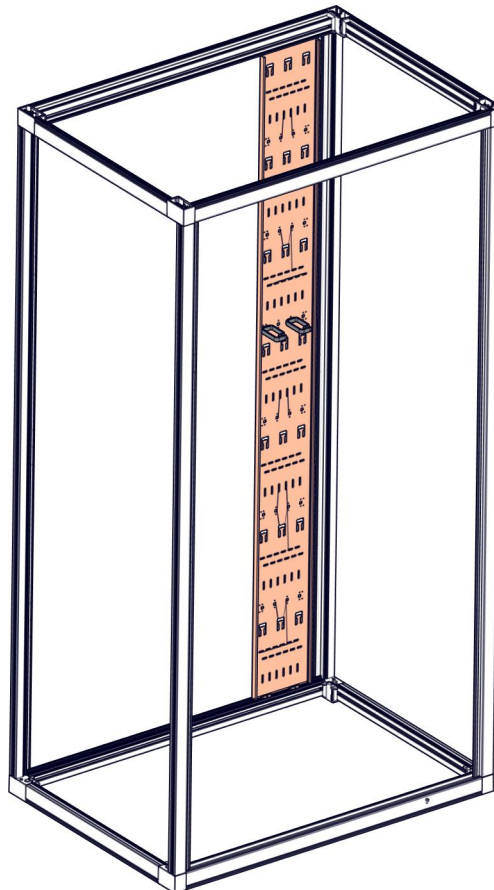


N-000098-0/001181-0

1.2

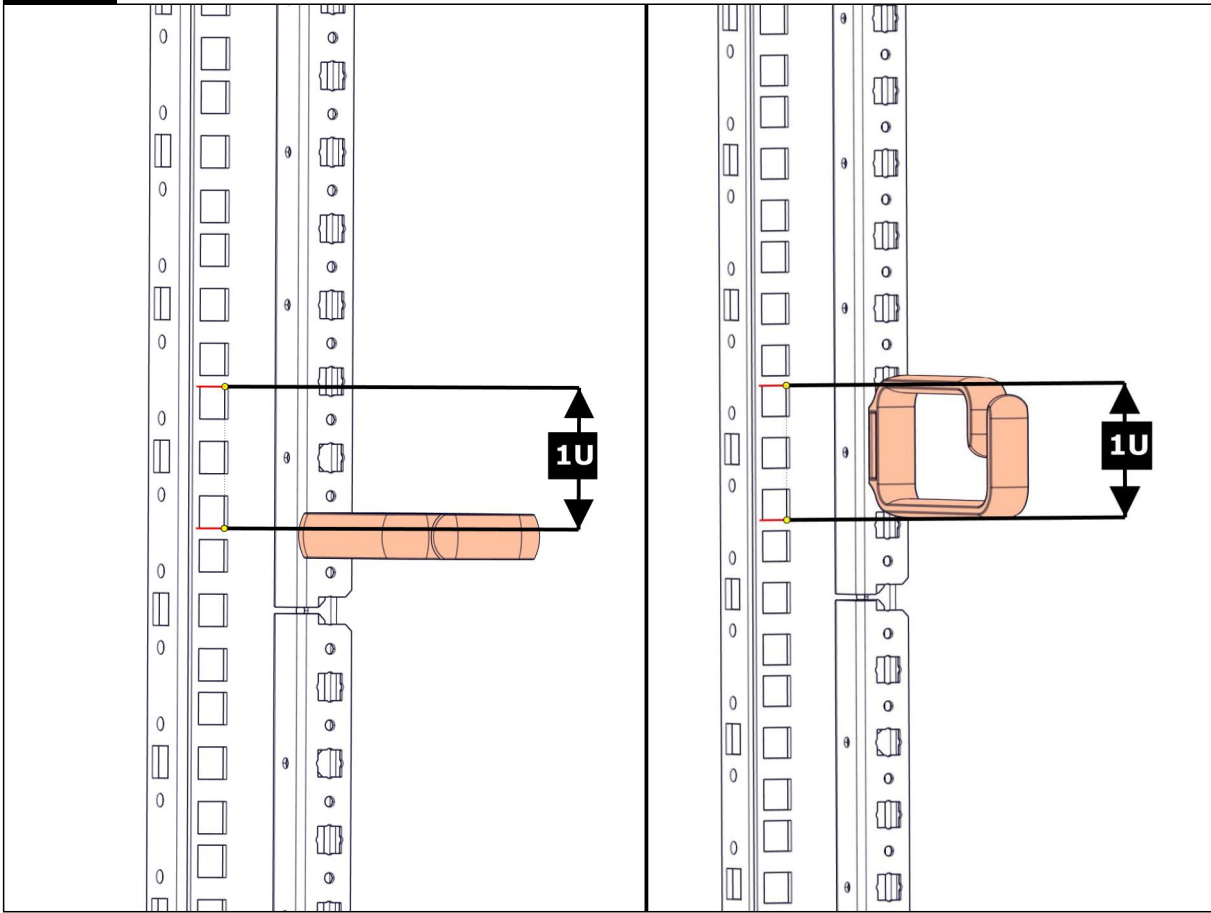


**Mount on cable tray
see step 1.7-1.9**



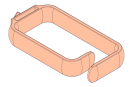
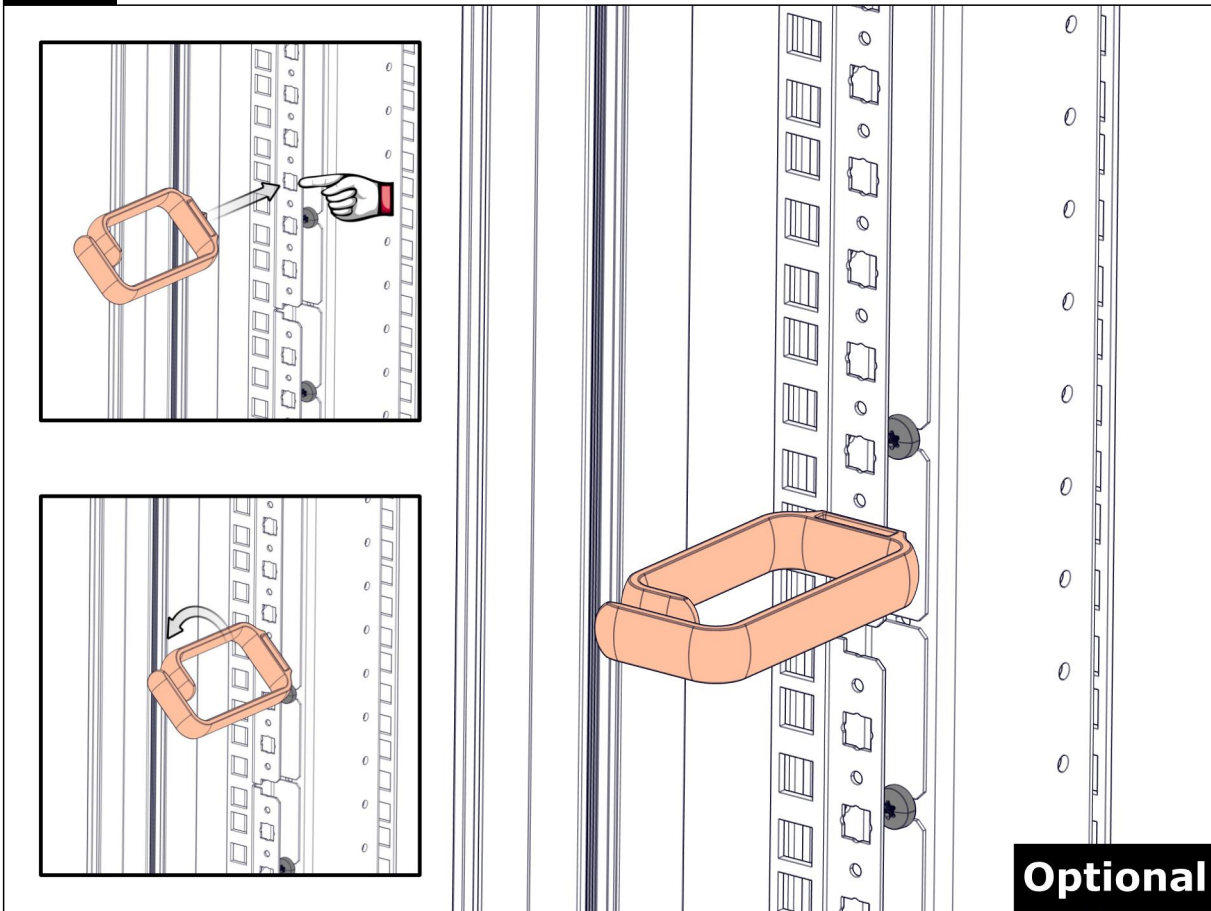
N-000098-0/001181-0

1.3



N-000098-0/001181-0

1.4

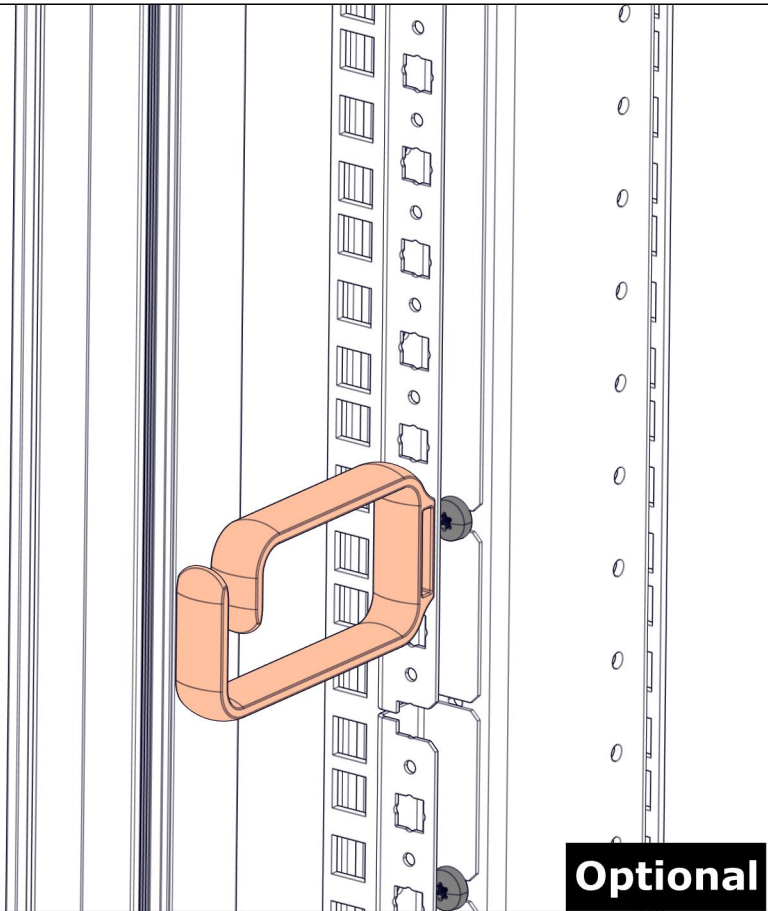
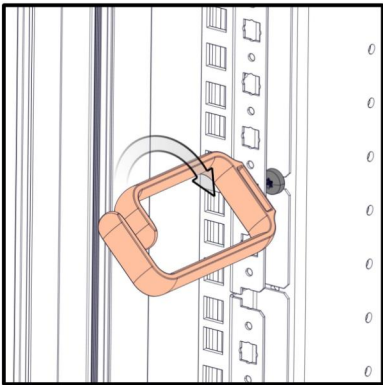
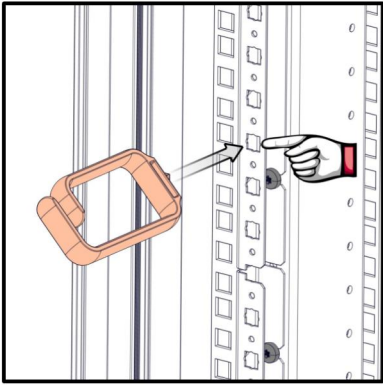


100MH-000001

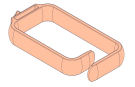
Optional

N-000098-0/001181-0

1.5



Optional



100MH-000001

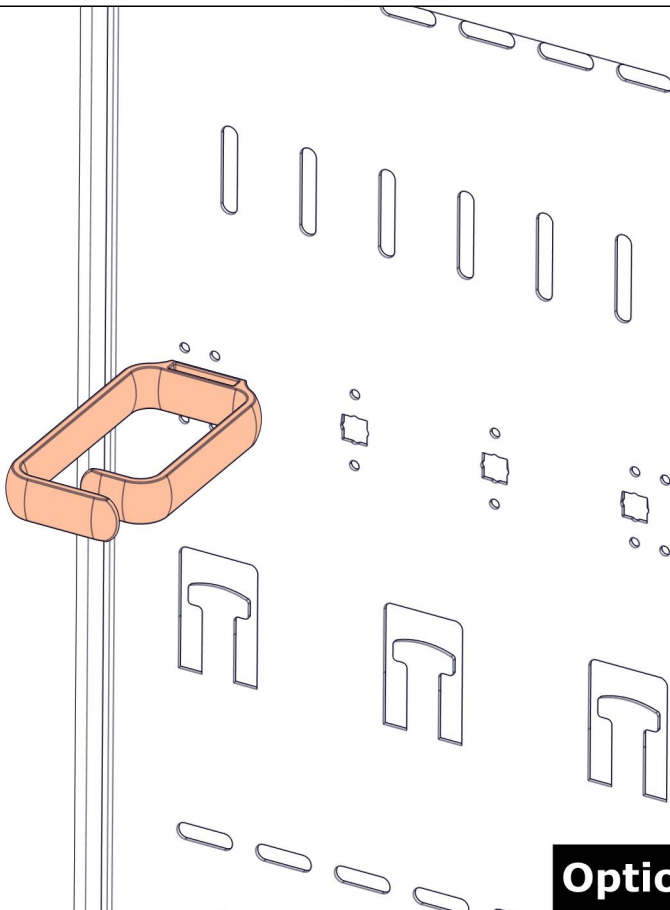
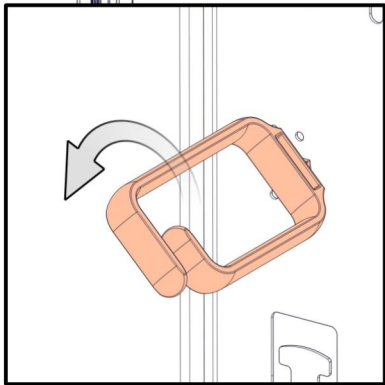
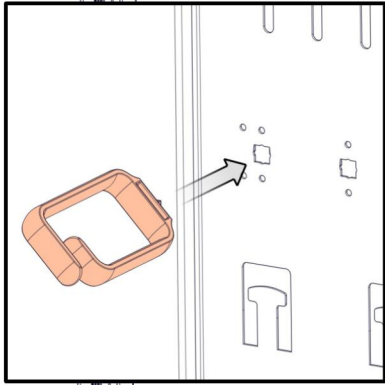
N-000098-0/001181-0

1.6

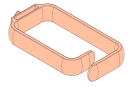
This step left blank intentionally

N-000098-0/001181-0

1.7



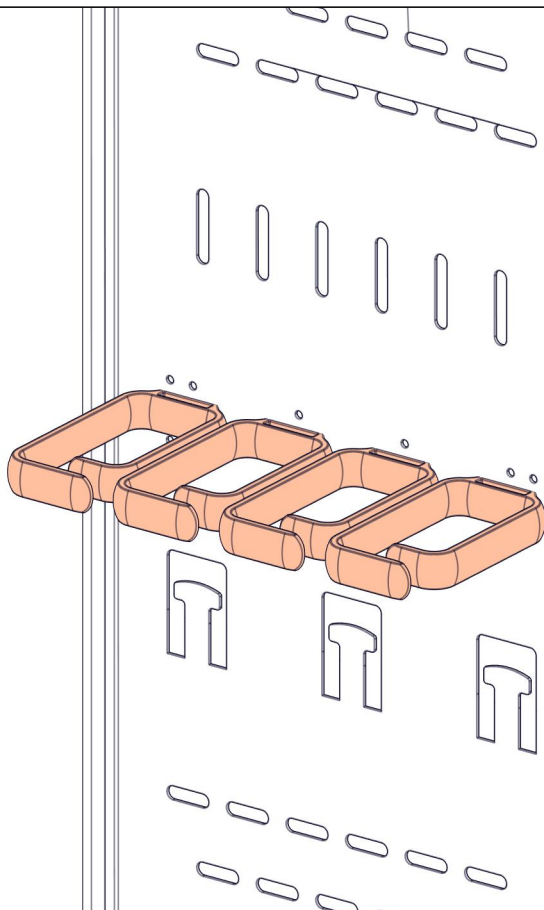
Optional



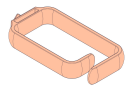
100MH-000001

N-000098-0/001181-0

1.8

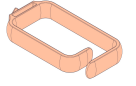
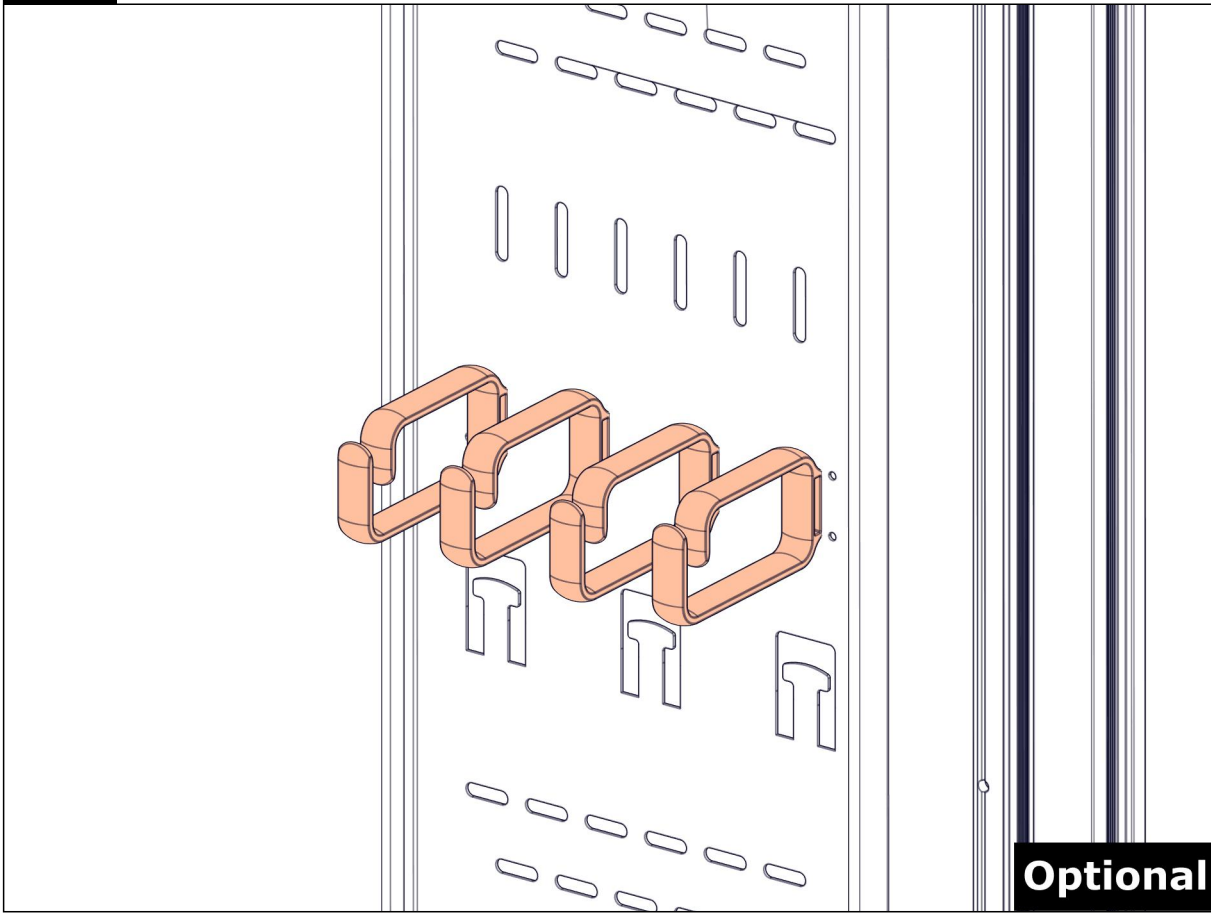


Optional



100MH-000001

N-000098-0/001181-0



100MH-000001

Optional

N-000098-0/001181-0



Minkels Nederland

Eisenhowerweg 12

Postbus 28

5460 AA Veghel

Nederland

email: info@minkels.com

tel: +31 (0)413 311 100