

End-of-Life and discontinued product announcement

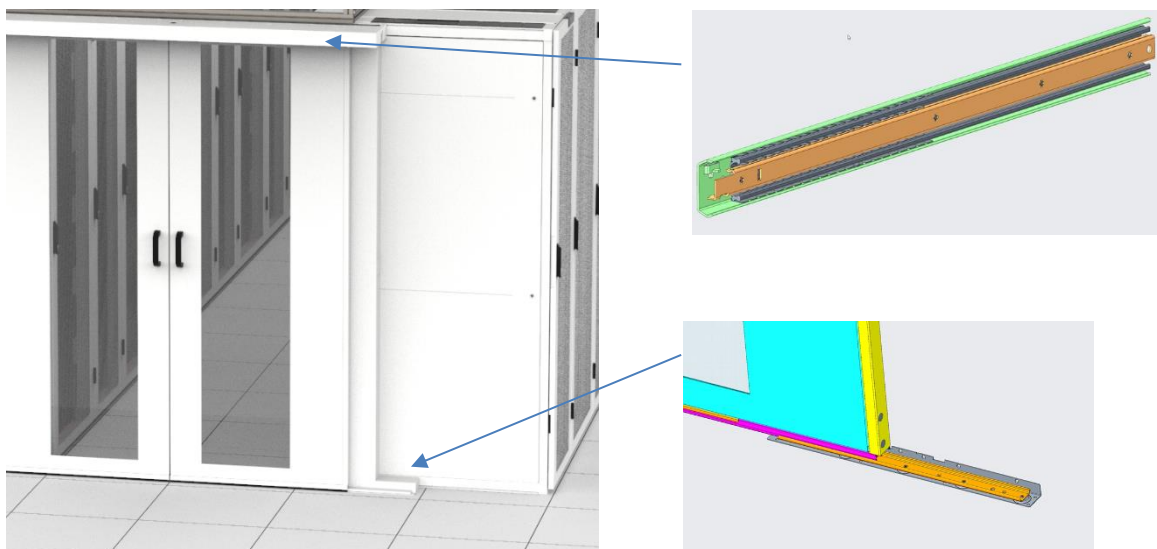
NXG Mechanical Sliding doors

As part of our ongoing commitment to providing the highest standards of security and compliance, we are announcing the end of support for our Minkels NXG Mechanical Sliding door. This decision aligns with the introduction of the Mechanical Sliding Door SD3, an improved product which offers enhanced durability and three times better thermal efficiency.

Announcement Milestones

1-4-2025	End-of-Life Announcement (EOLA) is the public notification date that commences the announcement that a product has been discontinued.
31-12-2029	End of Service Life (EOSL) is considered the final end-of-life milestone. It's the last date to receive service for the affected product(s) under a service contract or by warranty terms and conditions.

The affected products can be identified by a telescopic sliding rail in the beam and the guide rail mounted on the floor.



Spare parts for NXG systems

The following spare parts remain available until End of Service Life 31-12-2029:

A00NB-000001-000-1	NXG Spare - Telescopic rails Top Double door
A00NB-000002-000-1	NXG Spare - Telescopic rails Bottom Double door
A00NB-000003-000-1	NXG Spare - Telescopic rails Top Single door
A00NB-000004-000-1	NXG Spare - Telescopic rails Bottom Single door
A00NB-000005-000-1	NXG Spare - Spring roller
A00NB-000006-000-1	NXG Spare - Softclose
A00NB-000007-000-1	NXG Spare - Synchronization cable
A00NB-000008-000-1	NXG Spare - Wheel
A00NB-000009-000-1	NXG Spare - End retainer

Successor of NXG

This product has been replaced by the Minkels Mechanical Sliding door SD3, which offers significant improvements:

- Three times better airtightness for enhanced thermal performance.
- A new sliding rail mechanism for increased durability.
- Improved adaptability to various floor surfaces.

The SD3 sliding door is fully compatible with Minkels Nexpan Containment, Minkels horizontal freestanding containment, and Modulan containment.

Please note: while the SD3 is backwards compatible with these containment systems, it is not possible to upgrade an NXG Mechanical Sliding door to an SD3. The entire door system must be replaced. For assistance with the transition or more information about the SD3, please contact your local LDCS representative.

We appreciate your understanding and cooperation. Thank you for your continued support and partnership.

Sincerely,

Minkels B.V.
Eisenhowerweg 12
P.O.Box 28
5460 AA Veghel
The Netherlands
email: info@minkels.com
tel: +31 (0)413 311 100