

# HOW TO CHOOSE THE RIGHT SHELF FOR YOUR CABINET

The step-by-step plan below will help you choose the right items.

Will the shelf be supported by four VMRs (19-inch profiles)?

→ No →

Cantilever shelves can be used. Please note that these have a limited depth (max. 350 mm) and a limited load-bearing capacity (12 kg). Cantilever shelves can also be used in several wall enclosures. 2U of rack space is required for using cantilever shelves.

→ Yes →

Four-point shelves can be used. Choose from the following types:

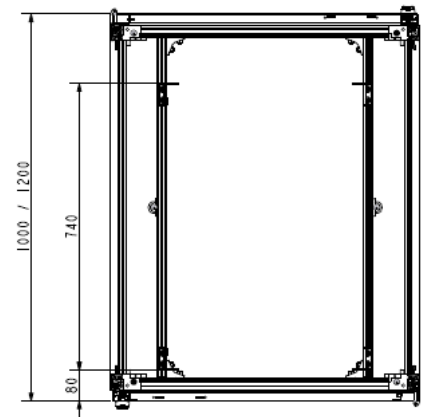
- Variable perforated shelves. Load bearing capacities of 40, 50 and 100 kg.
- Variable telescopic perforated shelves. Load-bearing capacities of 50 and 75 kg.
- Toolless mount variable perforated shelves. Load-bearing capacities of 40 and 50 kg.

## FOUR-POINT SHELVES

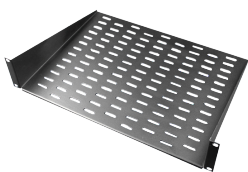
Once the type of shelf has been selected, the correct depth needs to be determined. This is because there is a minimum and maximum depth to all four-point shelves. This is not dependent on the exterior dimensions of the cabinet.

For example: See the adjoining illustration as an example. In this image the distance between VMRs is directly displayed (740 mm), another way to obtain it is to subtract to the total depth of the cabinet the distance of the front VMRs to the front door and the distance of the rear VMRs to the rear door.

The table on the following page shows which shelf shall be used depending on the VMRs in between distance. In some cases, more than one shelf can be used. For example, it is shown that both A000F-000001-900-1 & A000F-000002-900-1 can be used for a depth of 450 mm. The difference between these shelves is in their physical dimensions (usable surface). A000F-000001-900-1 is 350 mm deep and A000F-000002-900-1 is 500 mm deep. The surface area that can be used therefore varies per shelf, even if both could be use for a certain VMR distance.



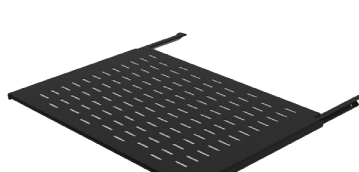
Item code	VMR in between distance (min - max) [mm]	Maximum weight [kg]	Shelf usable surface (w x d) [mm]	Product type	Retractable distance [mm]
A000E-000001-900-1	600 - 850	100	447 x 700	Variable perforated shelf	NA
A000E-000002-900-1	700 - 950	100	447 x 800	Variable perforated shelf	NA
A000F-000001-900-1	250 - 500	50	447 x 350	Variable perforated shelf	NA
A000F-000002-900-1	400 - 650	50	447 x 500	Variable perforated shelf	NA
A000F-000003-900-1	600 - 850	40	447 x 700	Variable perforated shelf	NA
A000K-000002-900-1	500 - 650	50	447 x 500	Toolless mount variable perforated shelf	NA
A000K-000003-900-1	650 - 800	40	447 x 650	Toolless mount variable perforated shelf	NA
A000H-000001-900-1	NA	12	447 x 350	Cantilever perforated shelf	NA
A000H-000002-900-1	NA	12	447 x 250	Cantilever perforated shelf	NA
A000M-000001-900-1	400 - 700	75	415 x 500	Variable telescopic perforated shelf	500
A000M-000002-900-1	600 - 900	50	415 x 700	Variable telescopic perforated shelf	700



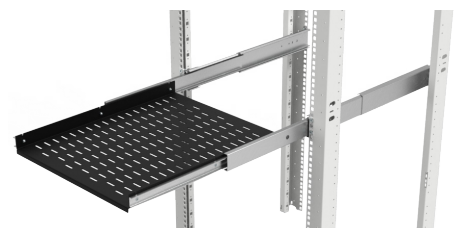
Cantilever 19-inch shelf



Variable perforated 19-inch shelf



Toolless mount variable perforated 19-inch shelf



Telescopic 19-inch shelf

The step-by-step plan above helps you select the correct shelf. If you are in need of assistance despite this plan, feel free to contact our sales department: [www.minkels.com/contact-information](http://www.minkels.com/contact-information)