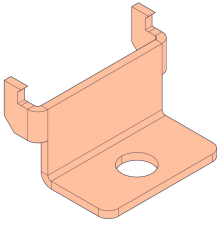


Floor Fixation

Safety

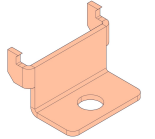
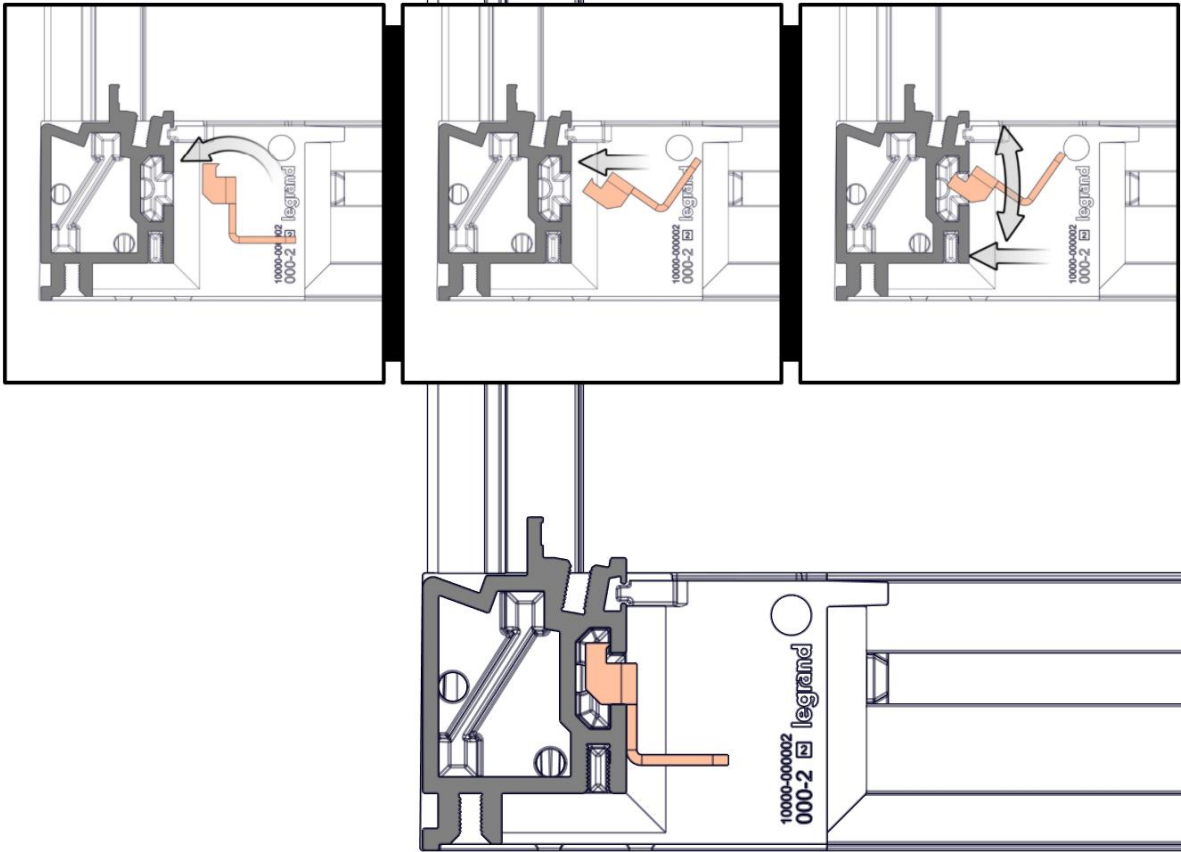


Components



101C3

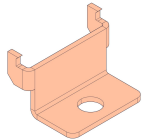
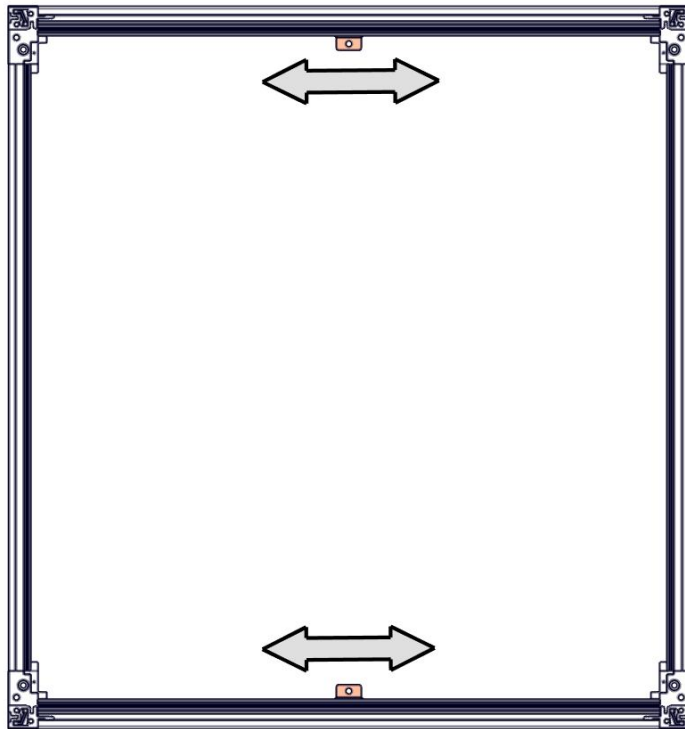
1.1



101C3

N-000057-2/000991-2

1.2



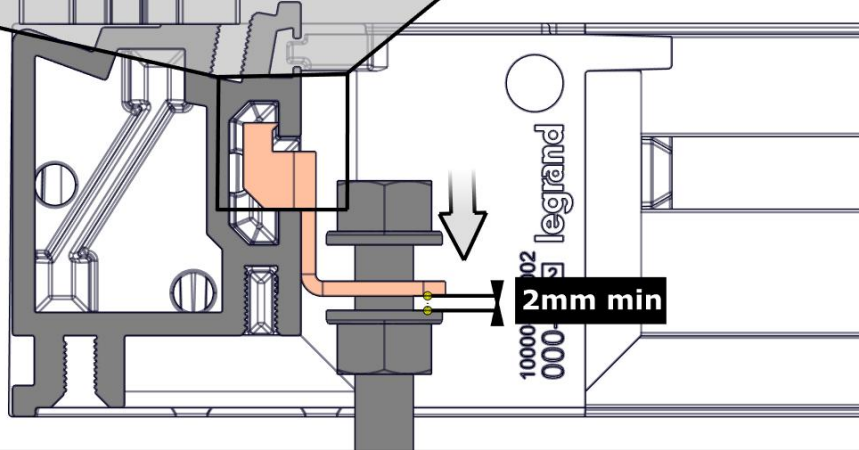
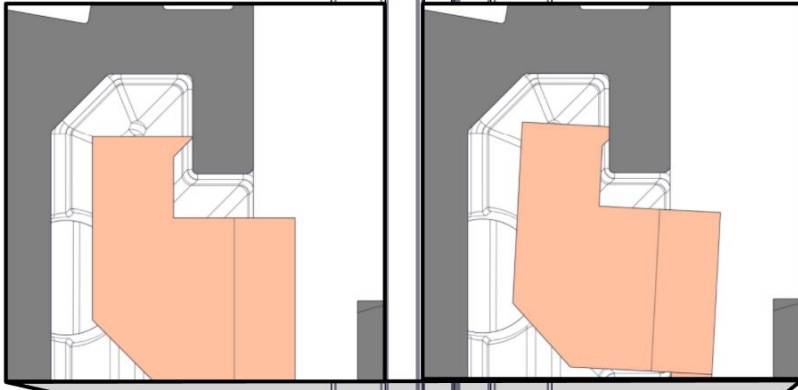
101C3

N-000057-2/000991-2

1.3



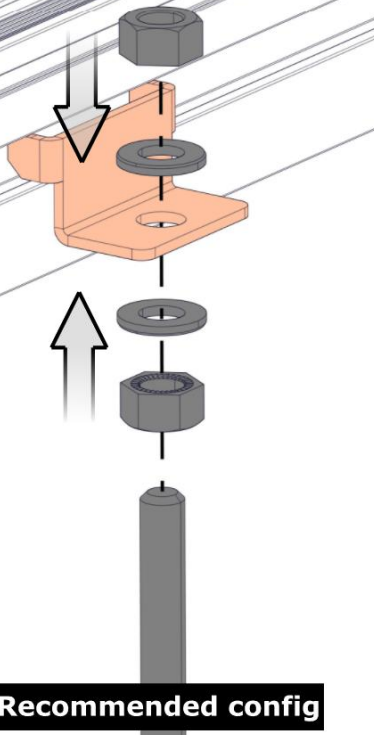
Ensure earthing



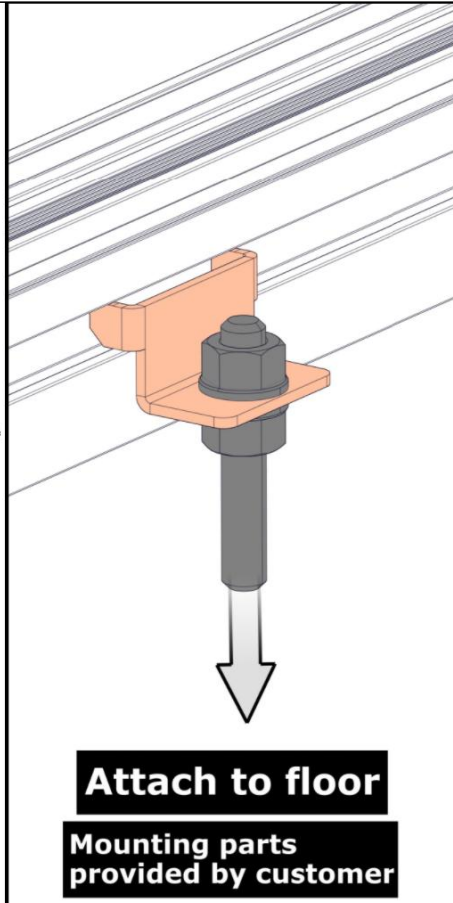
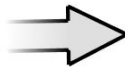
N-000057-2/000991-2

1.4

8 Nm±1



Recommended config



Attach to floor
Mounting parts
provided by customer

N-000057-2/000991-2

Notes



A brand of  **legrand**

Minkels Nederland

Eisenhowerweg 12

Postbus 28

5460 AA Veghel

Nederland

email: info@minkels.com

tel: +31 (0)413 311 100