

Nexpand, Cold Corridor H20

Safety



Tools



mm

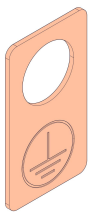


PZ-2

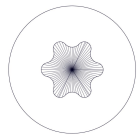


T25

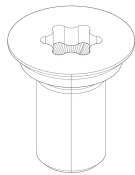
Components



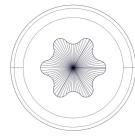
000RM-001



1,9 Nm
± 0,5



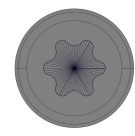
M5 x 10 (T25)



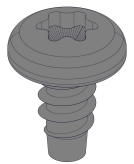
2,2 Nm
± 0,5



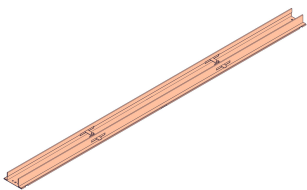
ST 4,2 x 8 (T25)



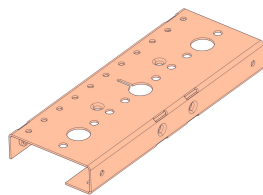
2,2 Nm
± 0,5



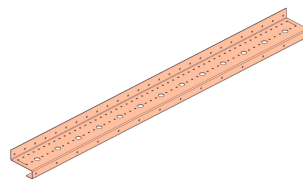
ST 4,8 x 8 (T25)



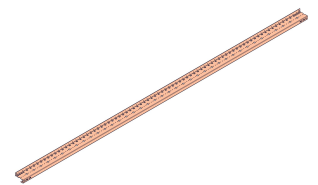
100A9-000001



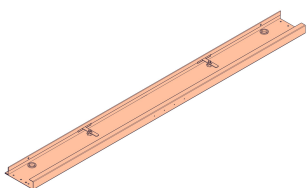
100AA-000002



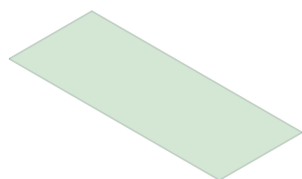
100AB-000002



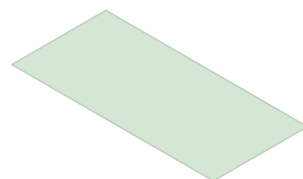
100AC-000001



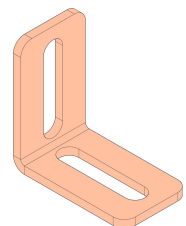
100AF-000001



100BP-000001

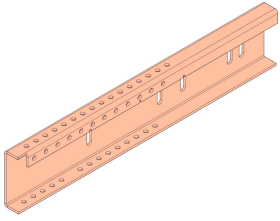


100BP-000002

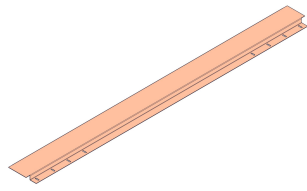


100BV-000001

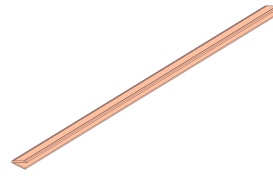
Components



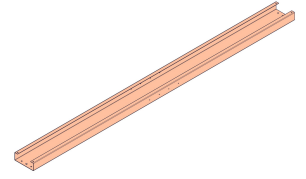
100BW-000001



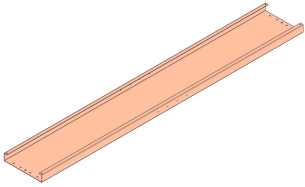
100BX-000001



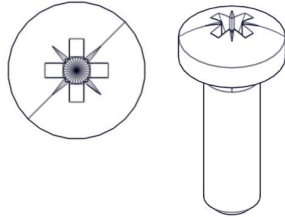
100C0-000001



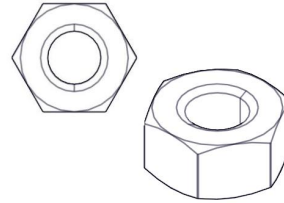
100R1-000001



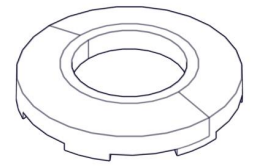
100R1-000002



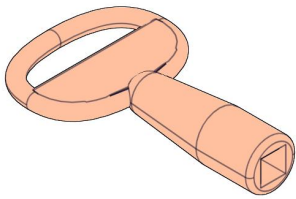
M6 x 16 (PZ-2)



M6 (#10)

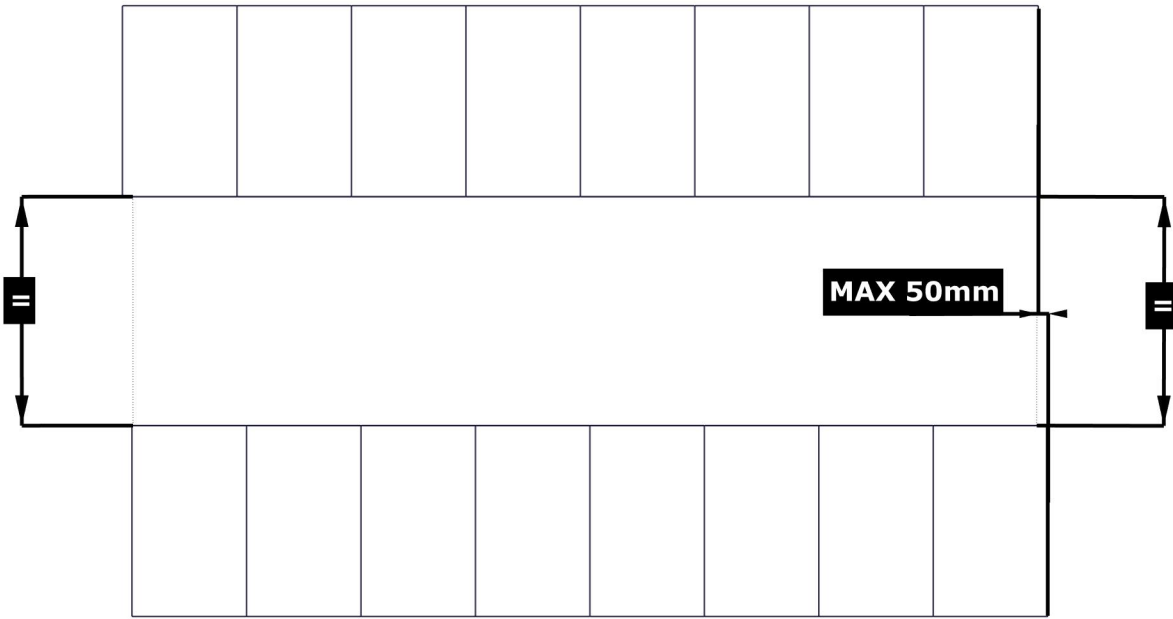


M6



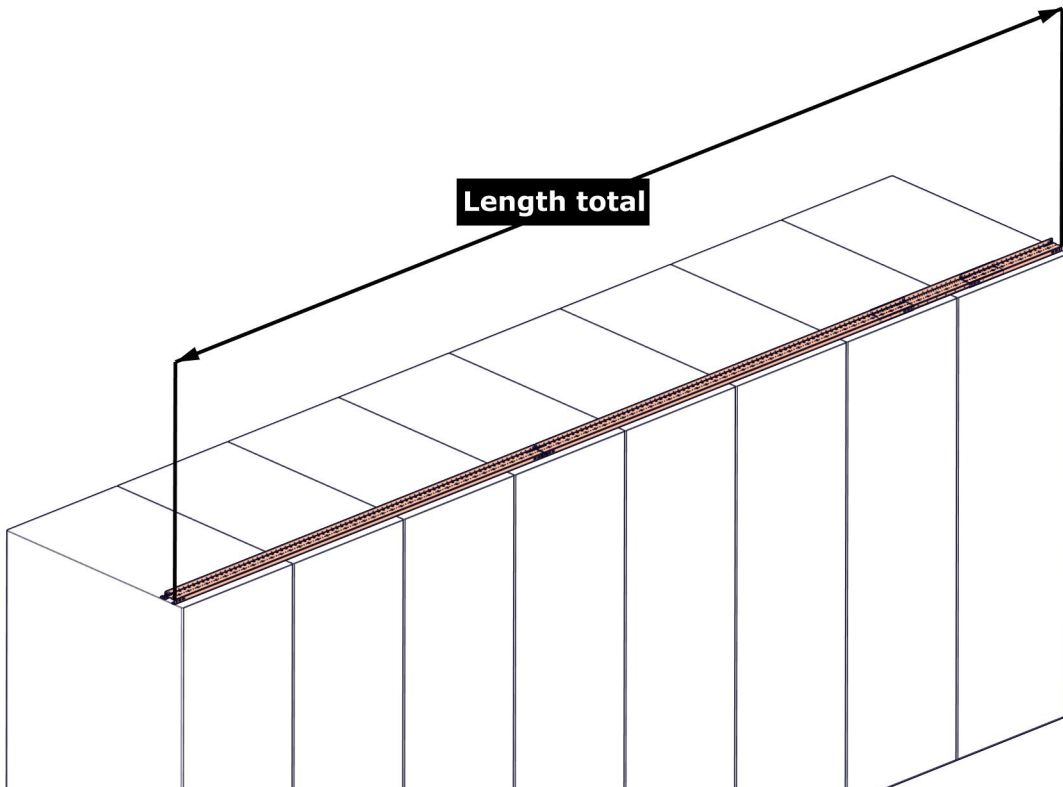
12 x 5mm

1.1



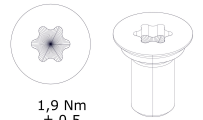
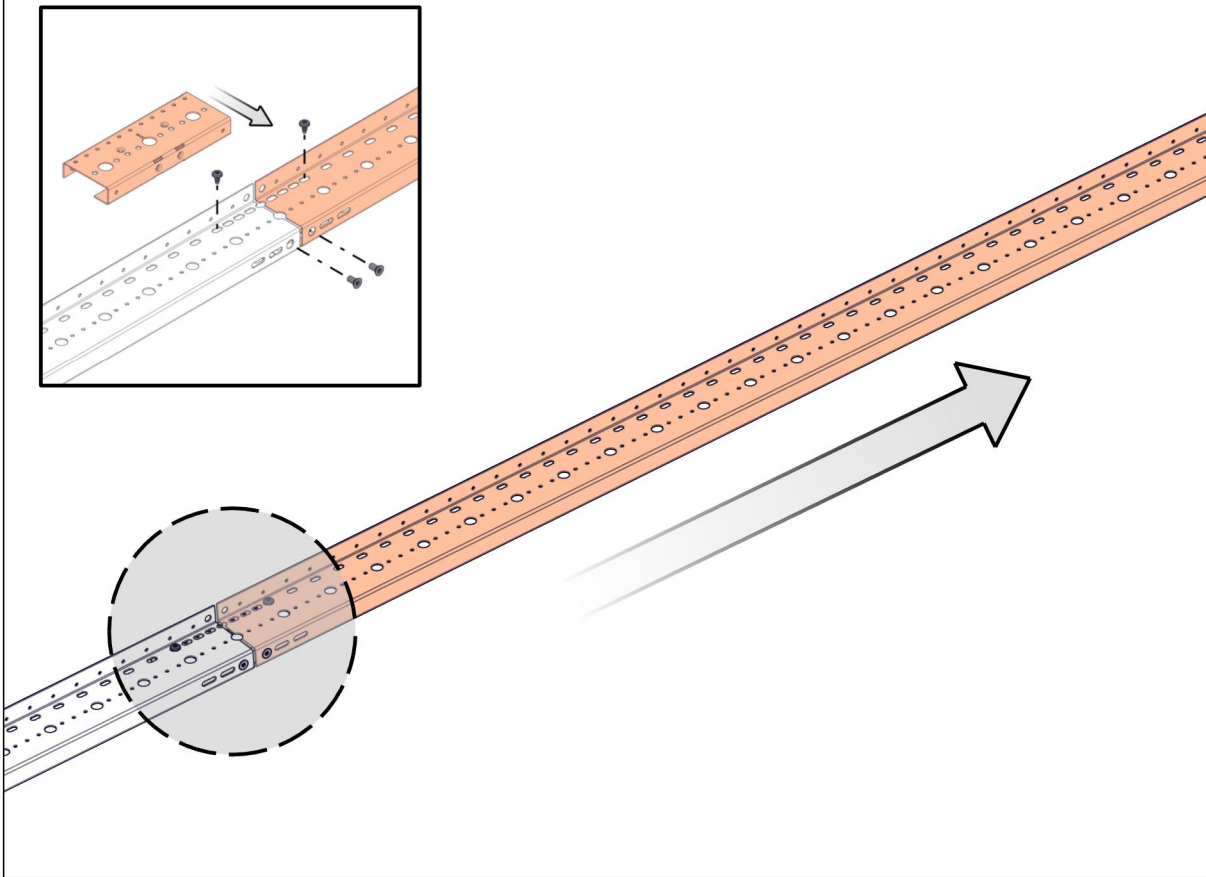
N-000002-1/000915-0

2.1



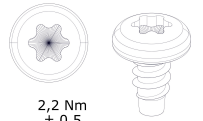
N-000002-1/000914-0

2.2



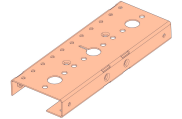
1,9 Nm
± 0,5

M5 x 10 (T25)

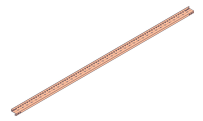


2,2 Nm
± 0,5

ST 4,2 x 8 (T25)



100AA-000002



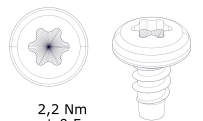
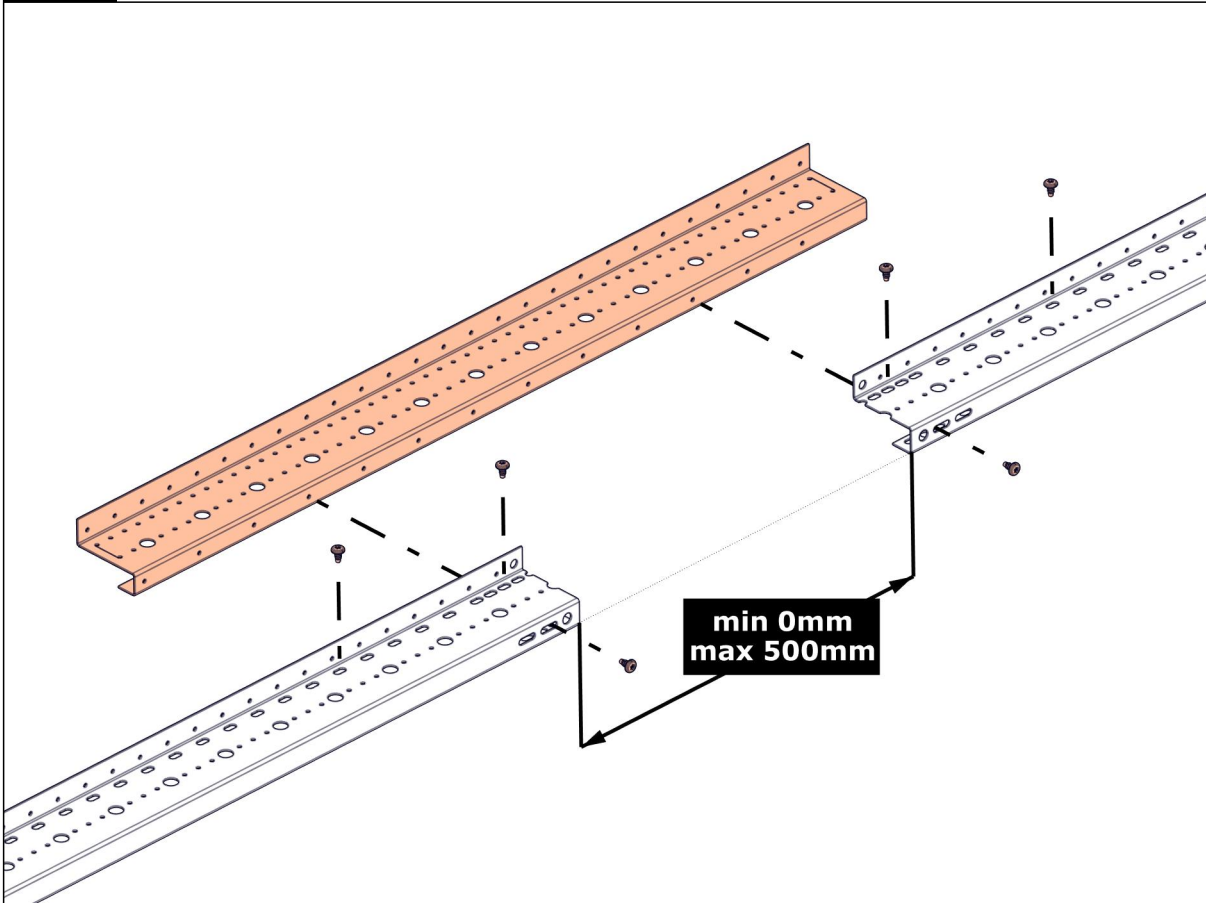
100AC-000001



T25

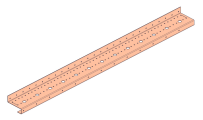
N-000002-1/000914-0

2.3



2,2 Nm
± 0,5

ST 4,2 x 8 (T25)



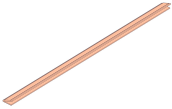
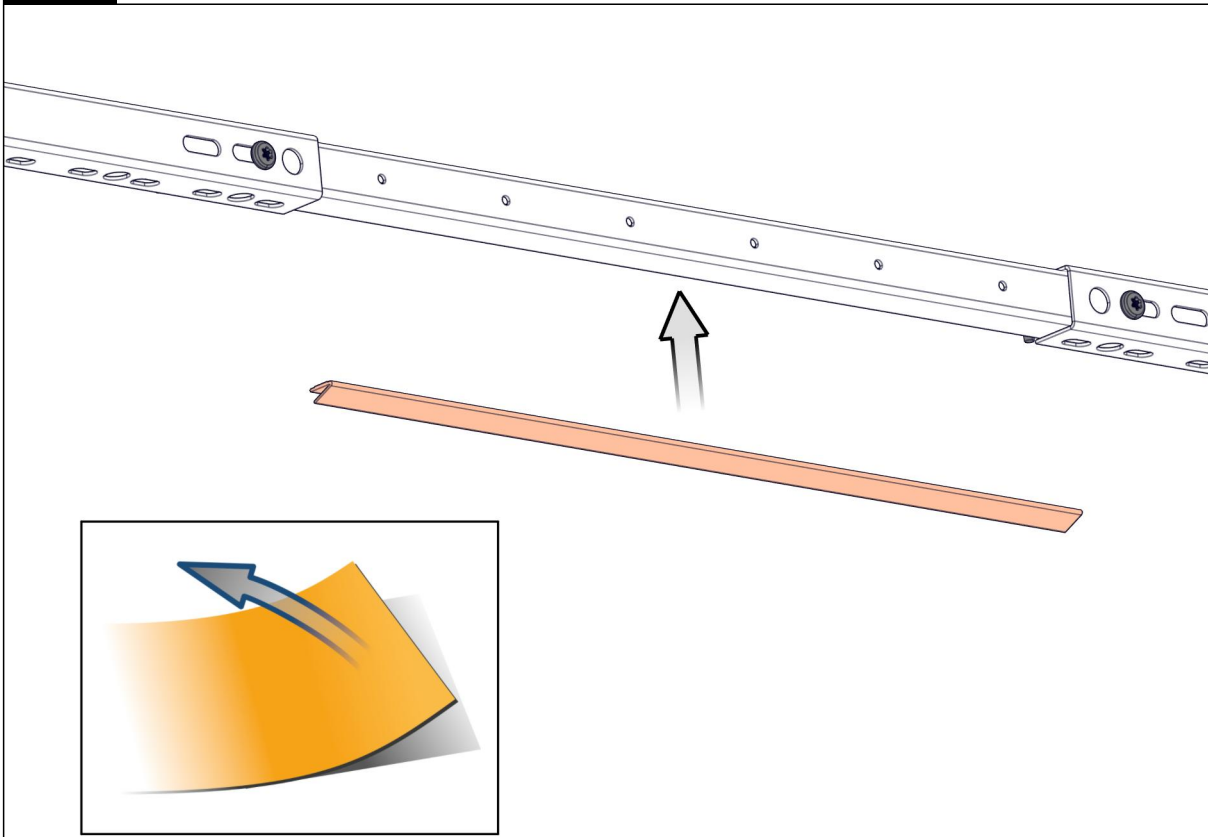
100AB-000002



T25

N-000002-1/000914-0

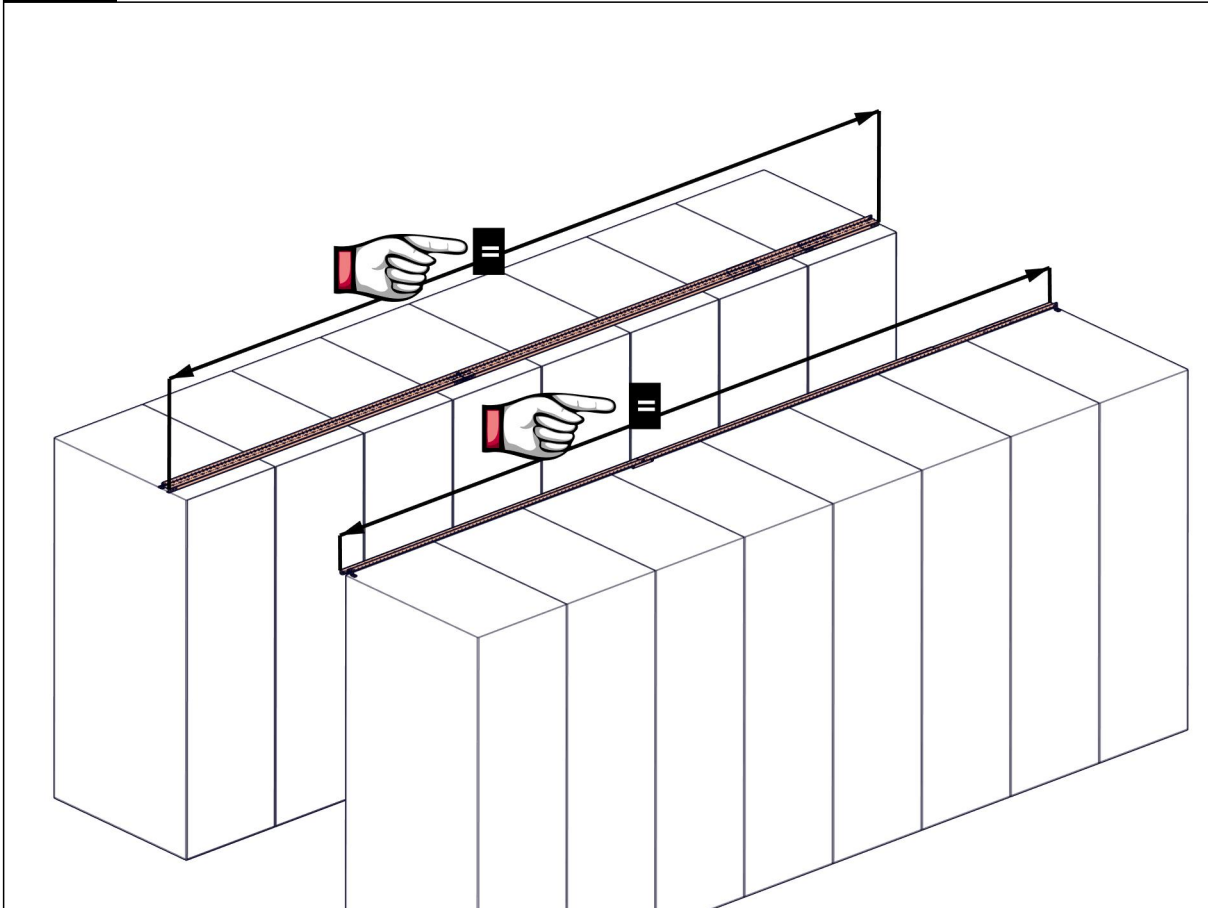
2.4



100C0-000001

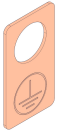
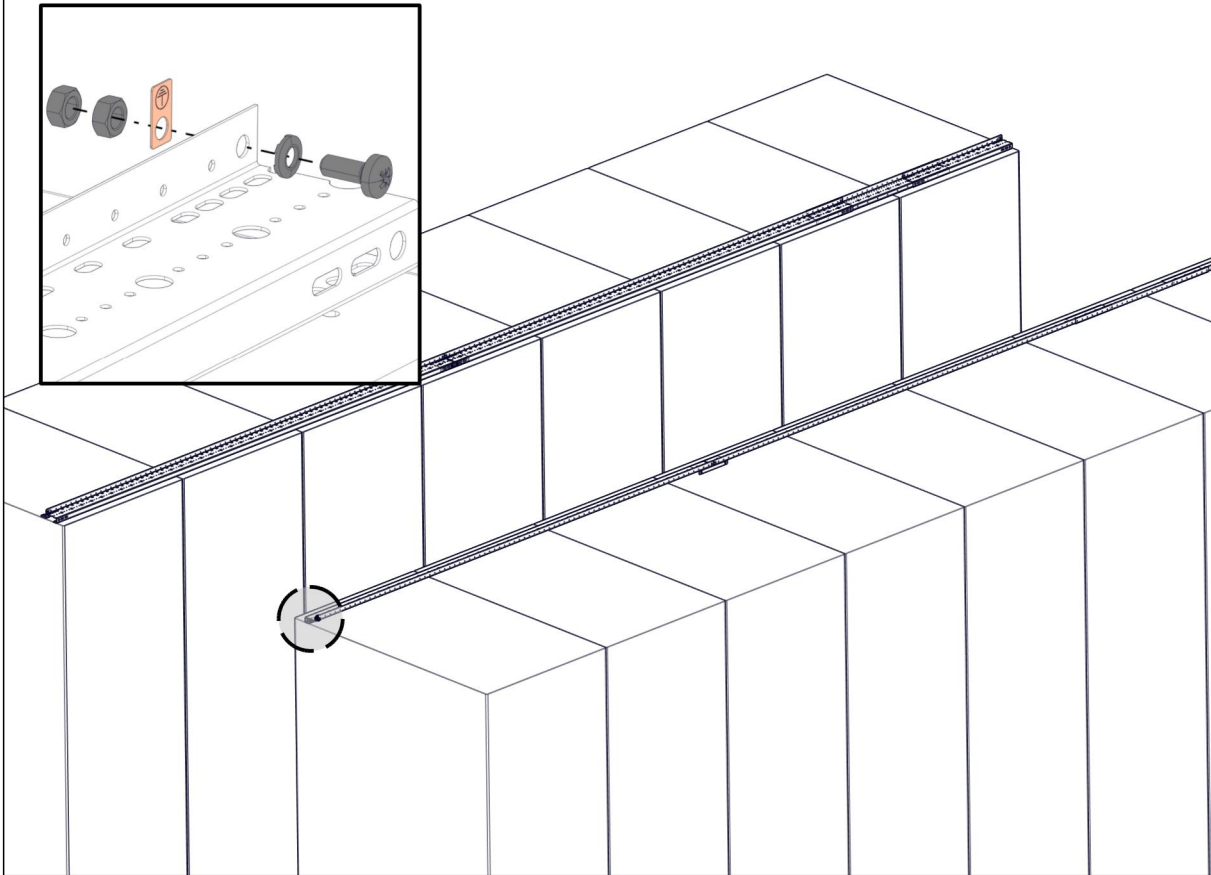
N-000002-1/000914-0

2.5

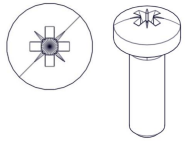


N-000002-1/000914-0

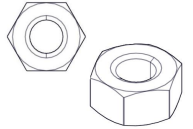
2.6



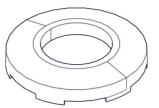
000RM-001



M6 x 16 (PZ-2)



M6 (#10)



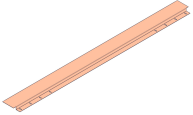
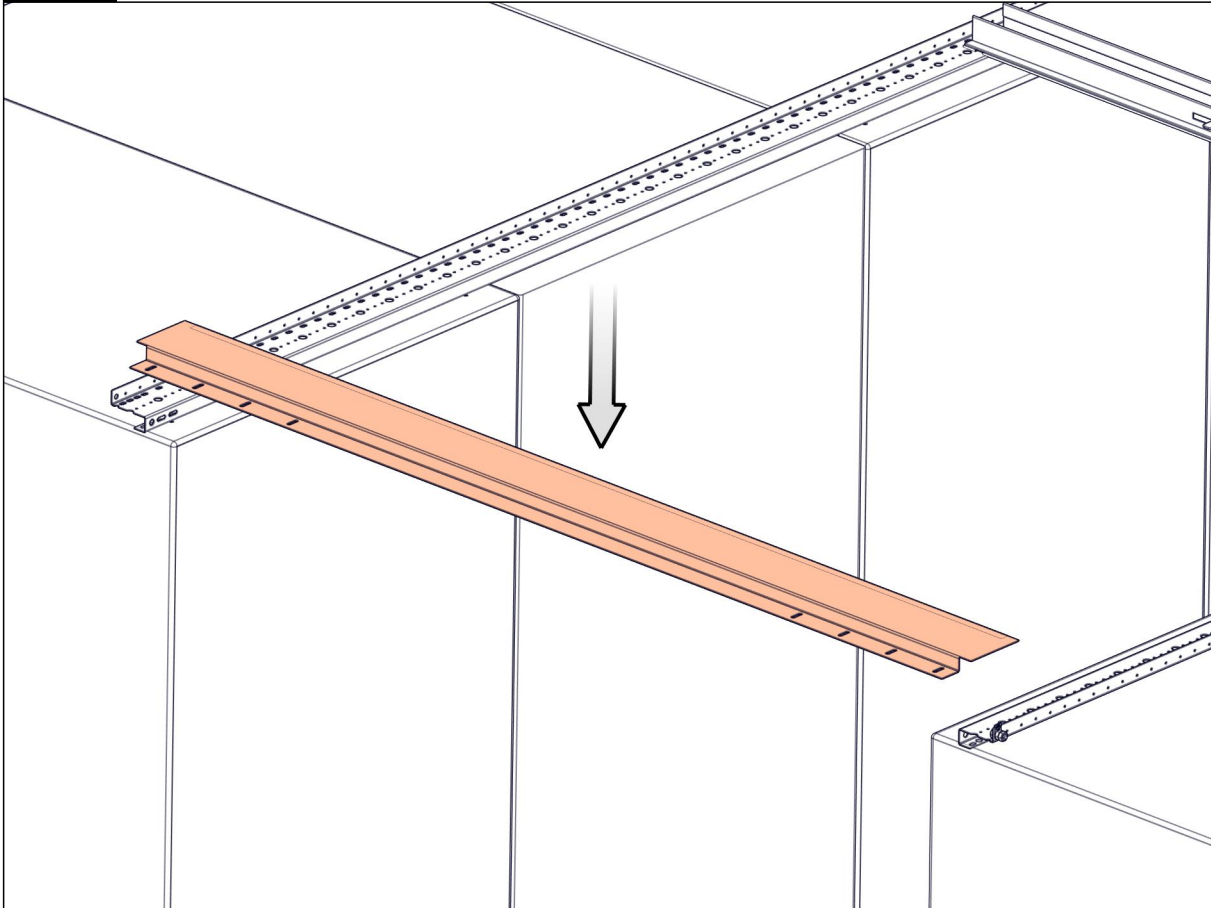
M6



PZ-2

N-000002-1/000914-0

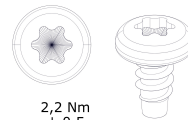
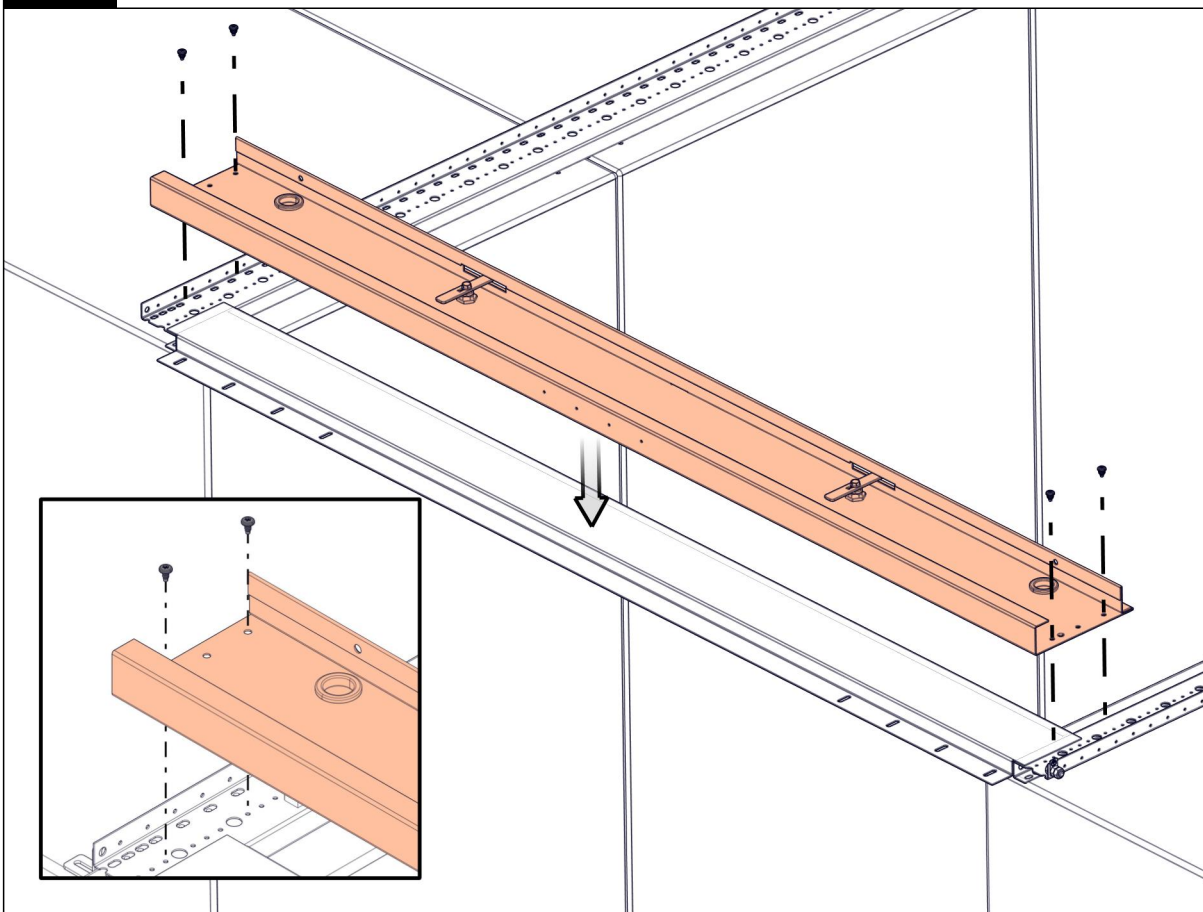
2.7



100BX-000001

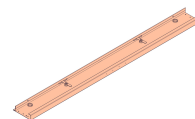
N-000002-1/000914-0

3.1



2,2 Nm
± 0,5

ST 4,2 x 8 (T25)



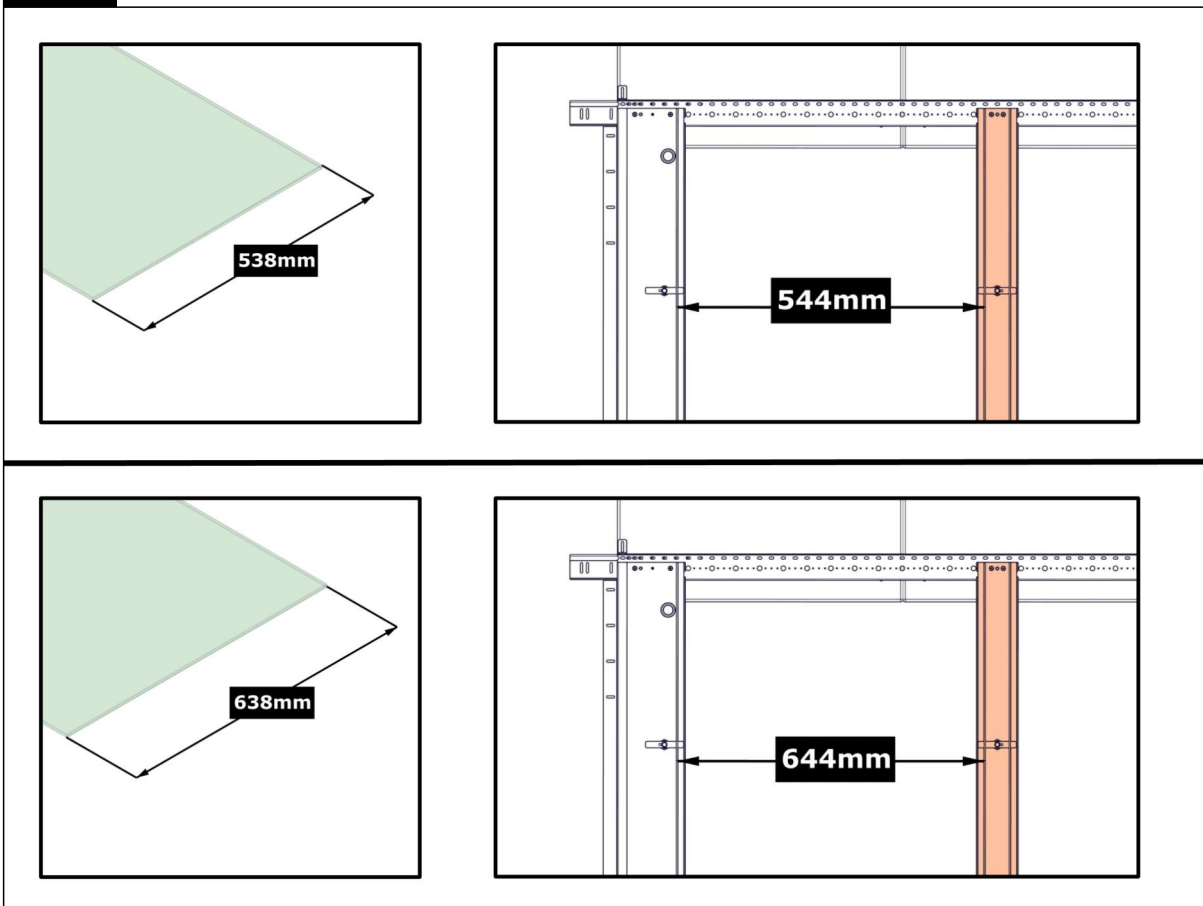
100AF-000001



T25

N-000002-1/000916-1

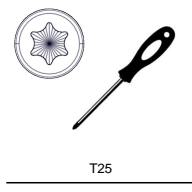
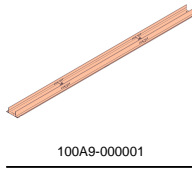
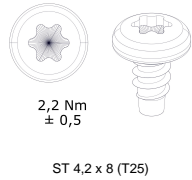
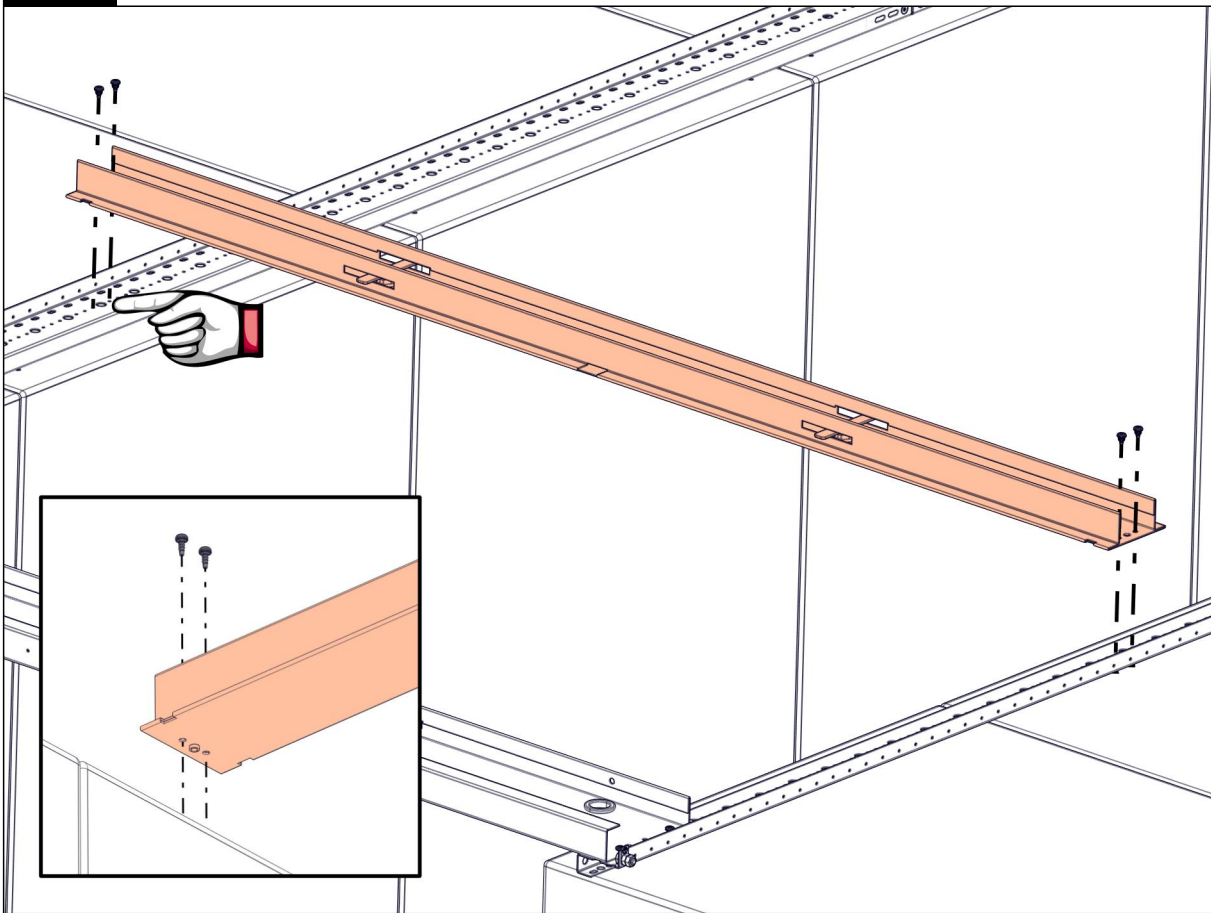
3.2



mm

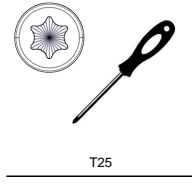
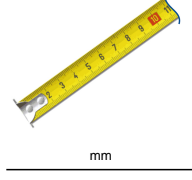
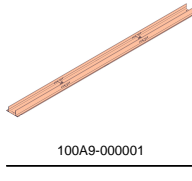
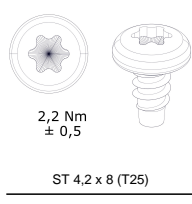
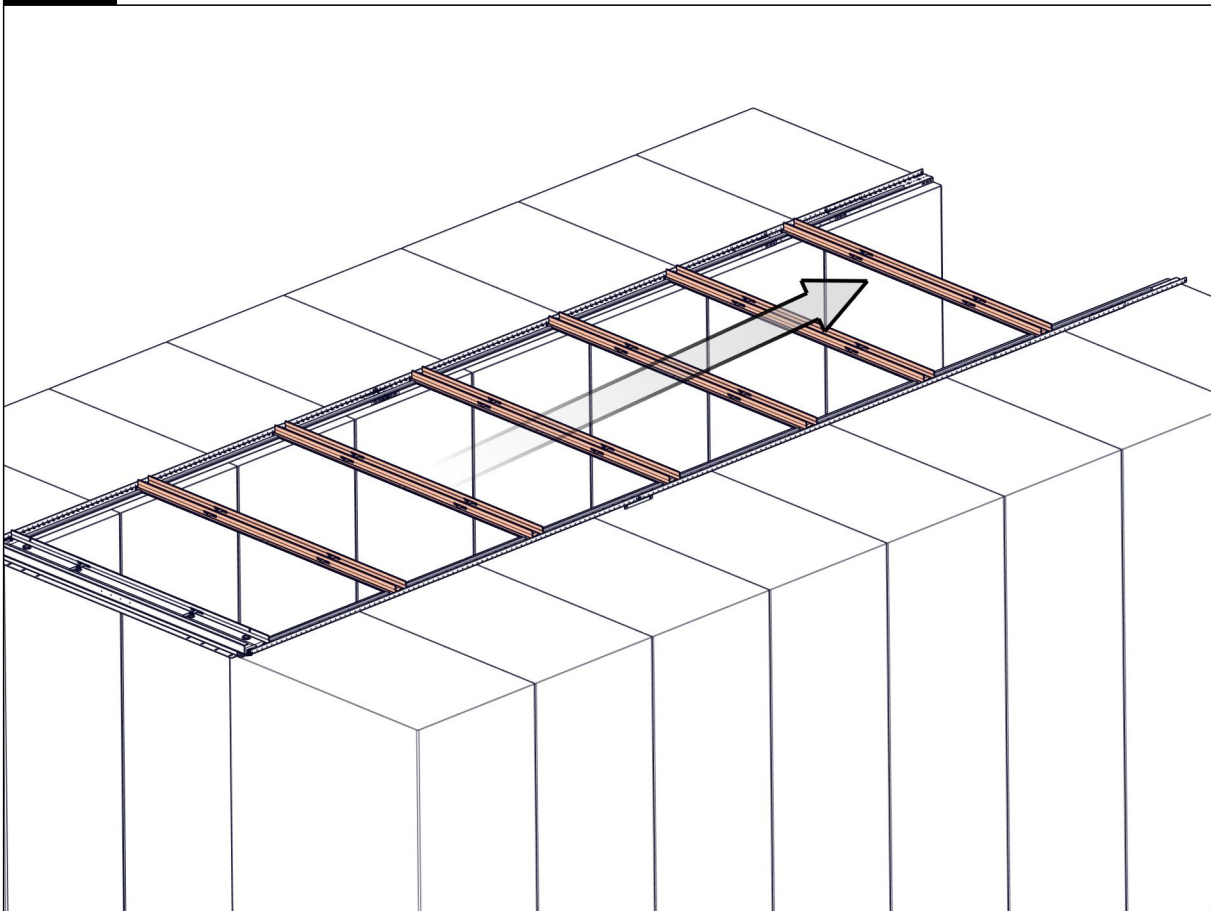
N-000002-1/000916-1

3.3



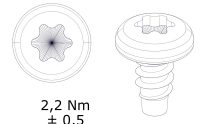
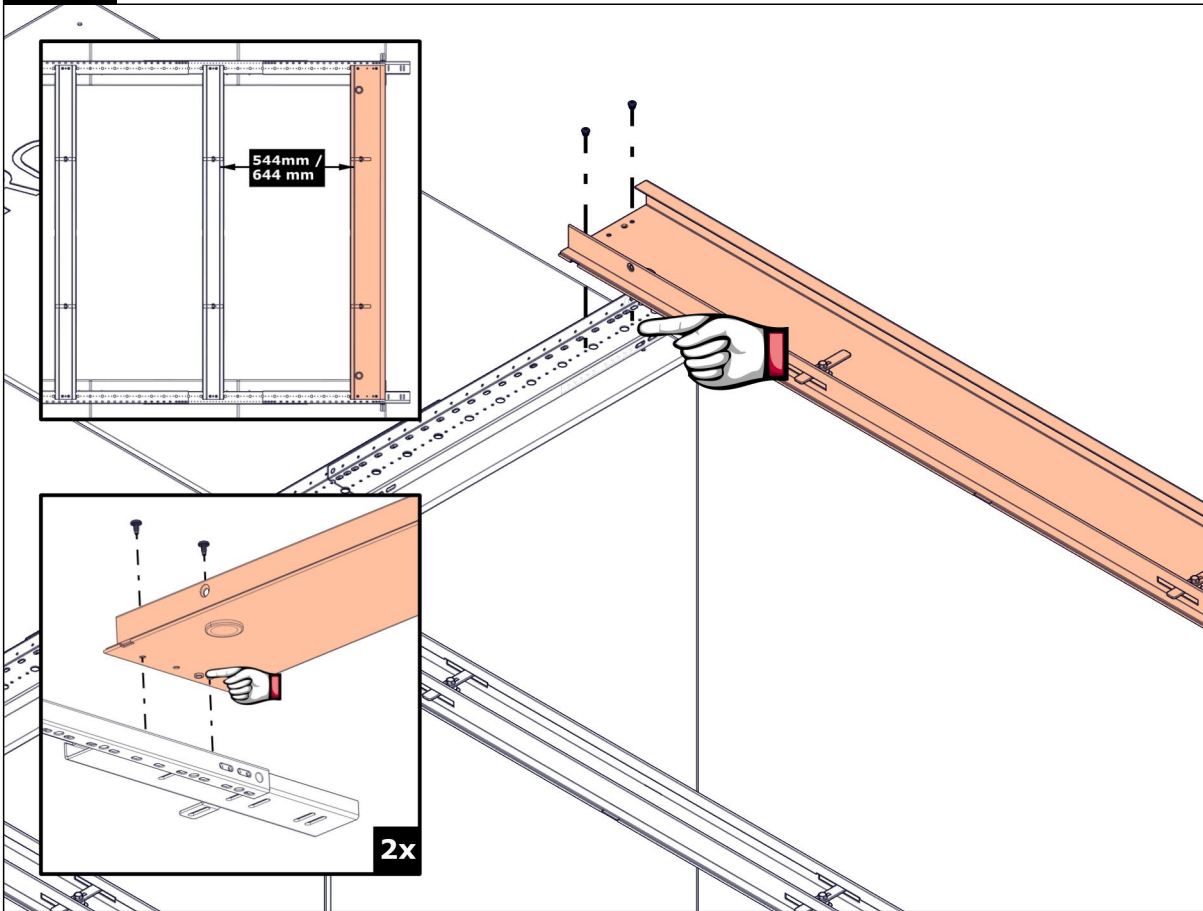
N-000002-1/000916-1

3.4



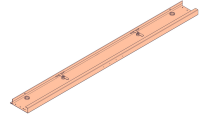
N-000002-1/000916-1

3.5



2,2 Nm
± 0,5

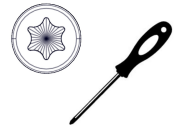
ST 4.2 x 8 (T25)



100AF-000001



mm

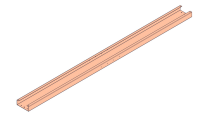
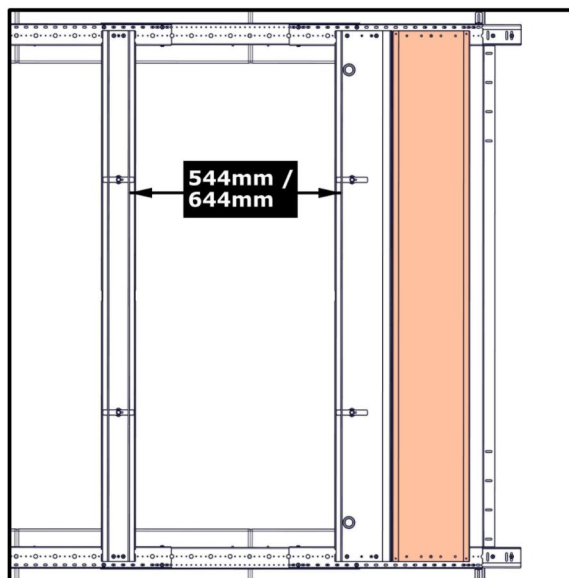
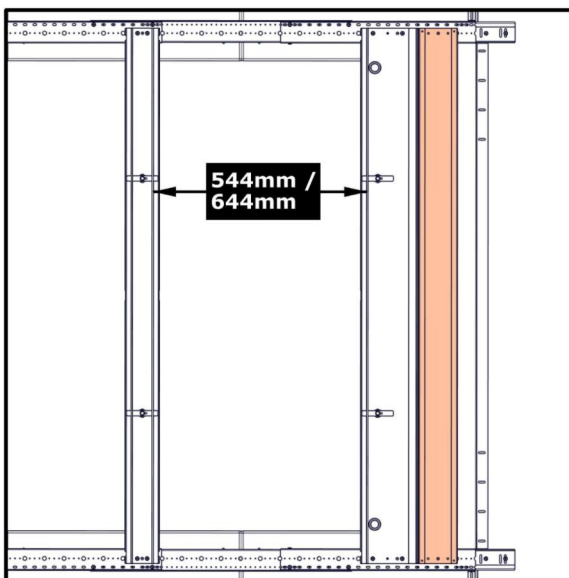


T25

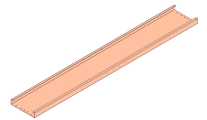
N-000002-1/000916-1

3.6

Optional



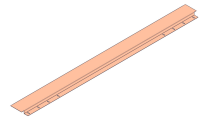
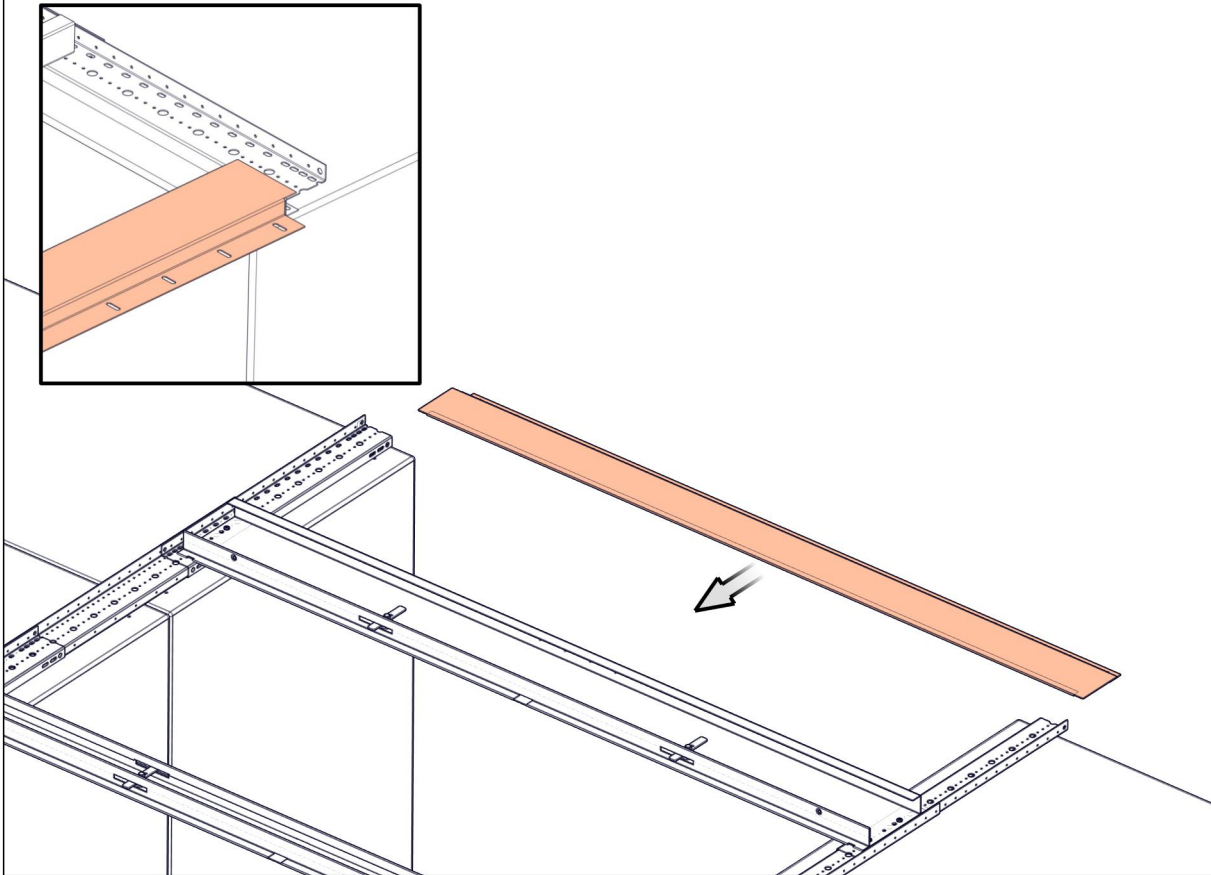
100R1-000001



100R1-000002

N-000002-1/000916-1

3.7

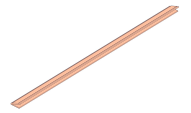
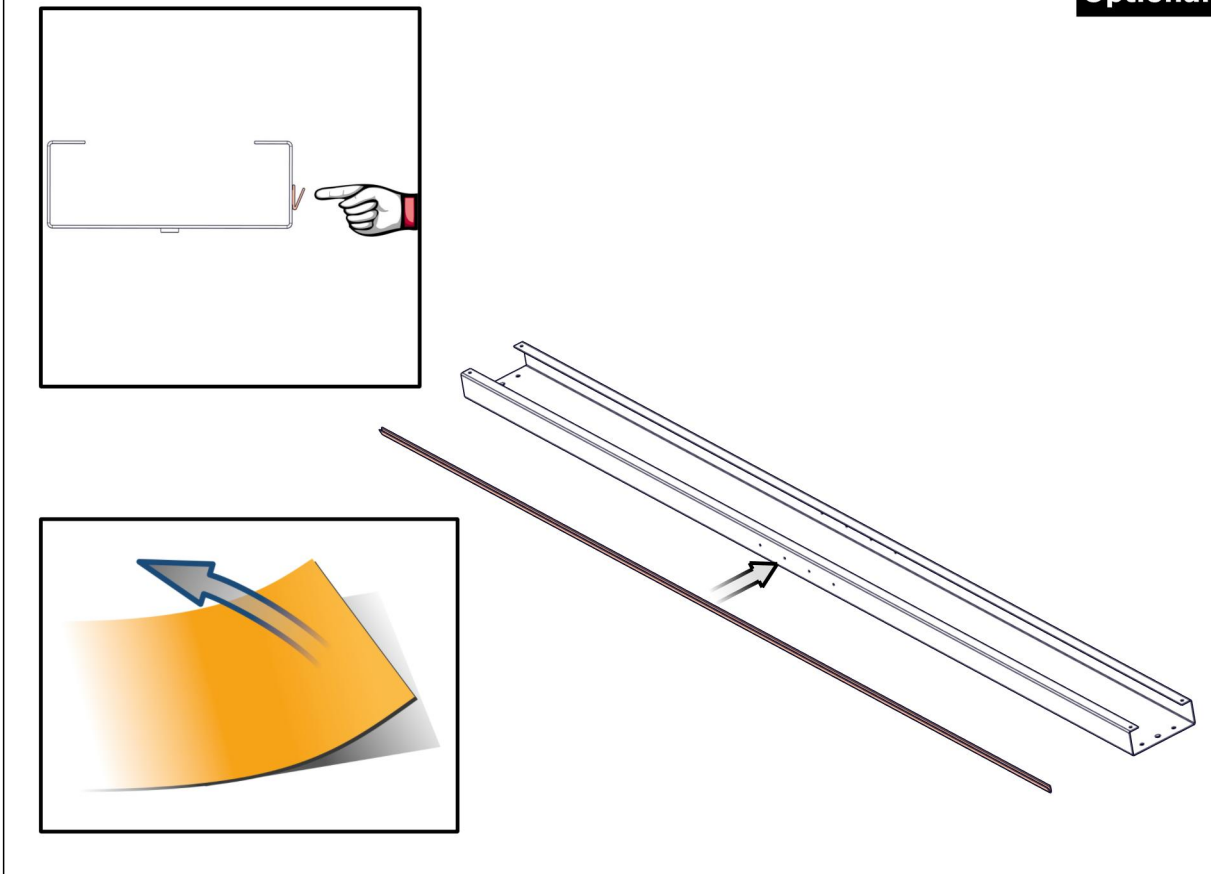


100BX-000001

N-000002-1/000916-1

3.8

Optional

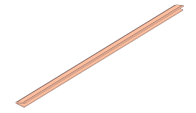
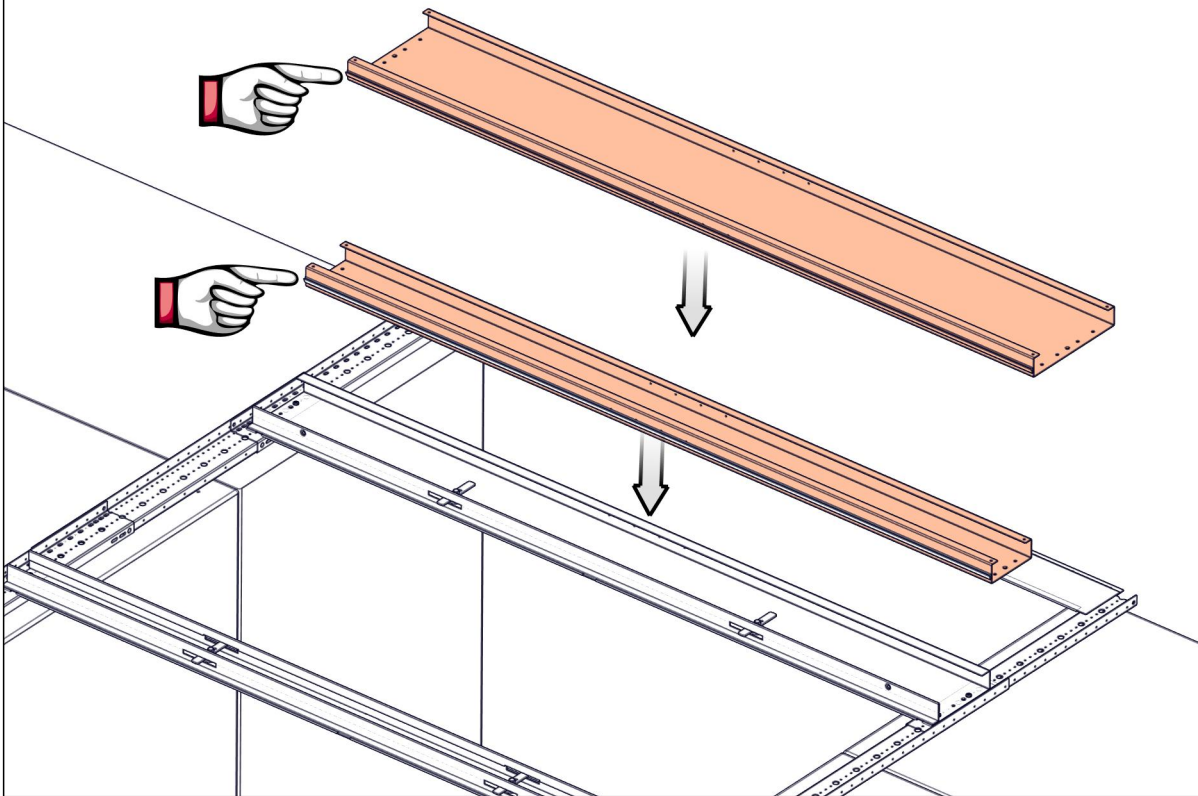


100C0-000001

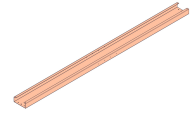
N-000002-1/000916-1

3.9

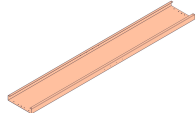
Optional



100C0-000001



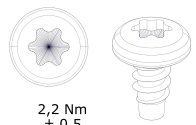
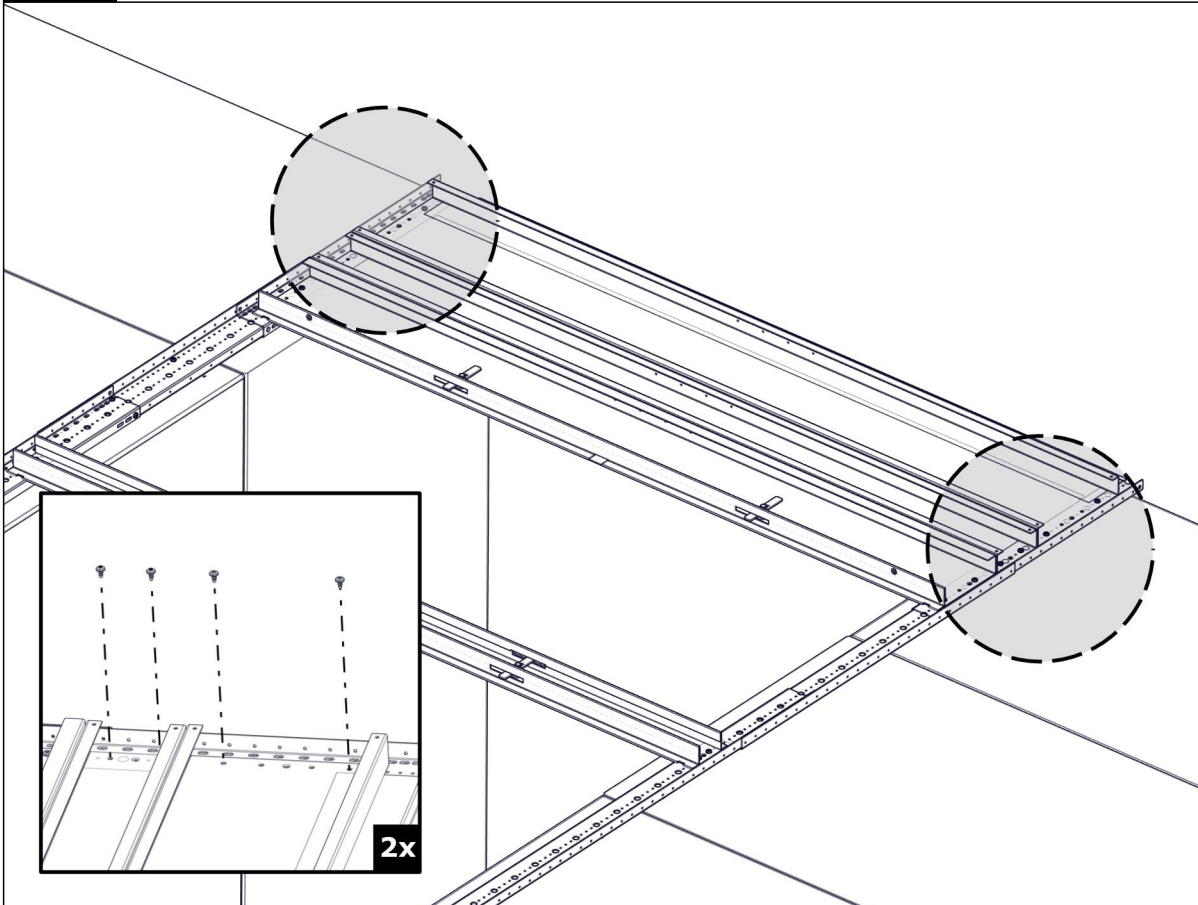
100R1-000001



100R1-000002

N-000002-1/000916-1

3.10



2,2 Nm
± 0,5

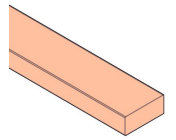
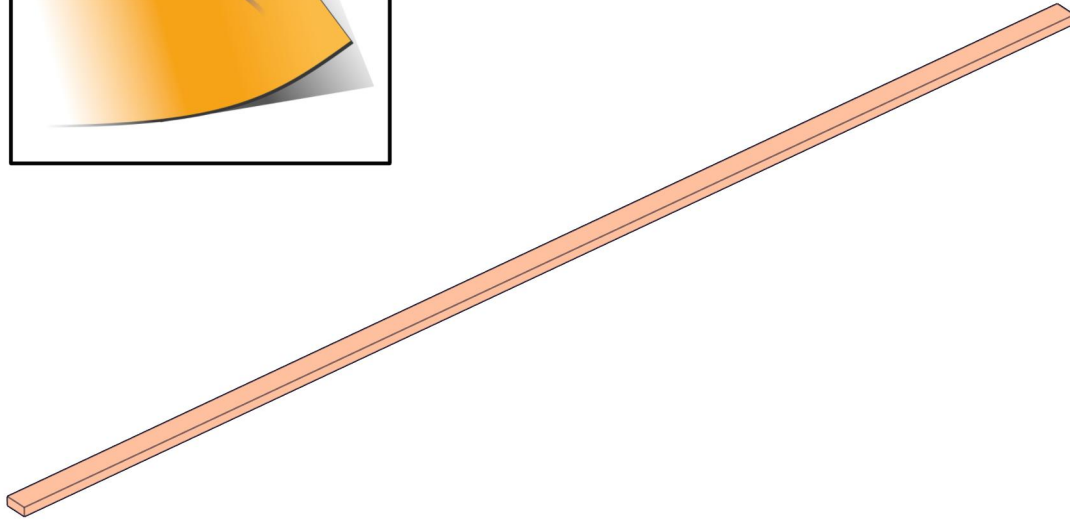
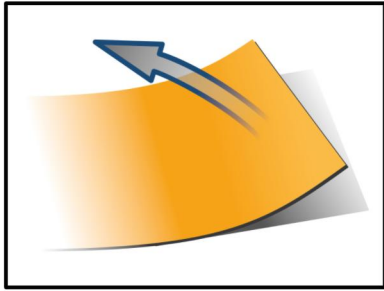
ST 4,2 x 8 (T25)



T25

N-000002-1/000916-1

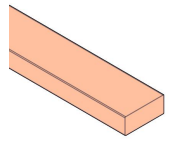
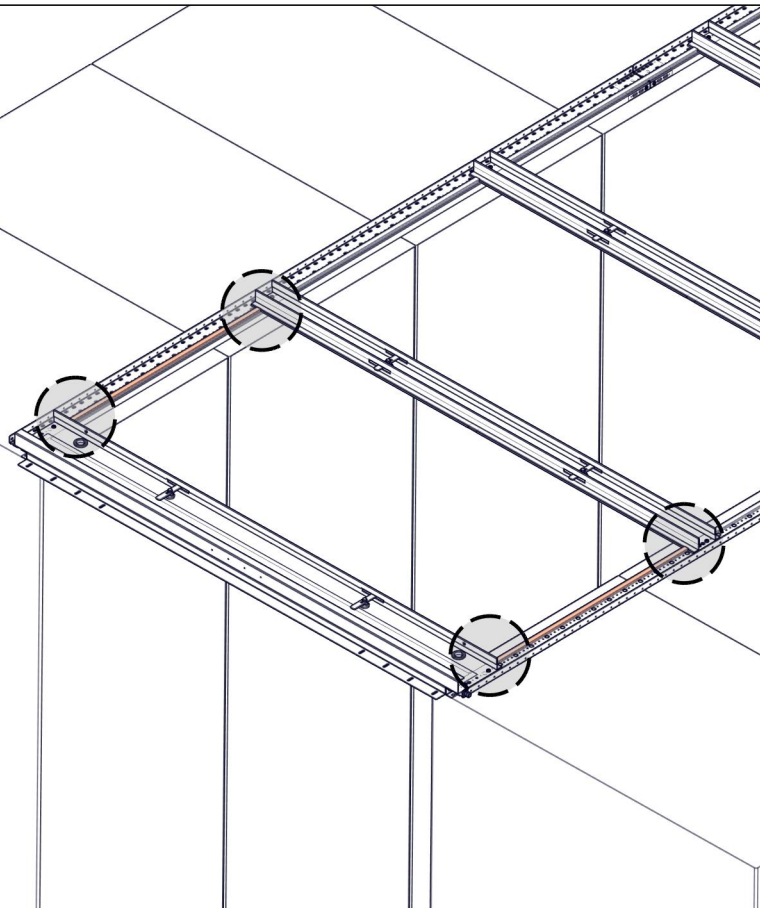
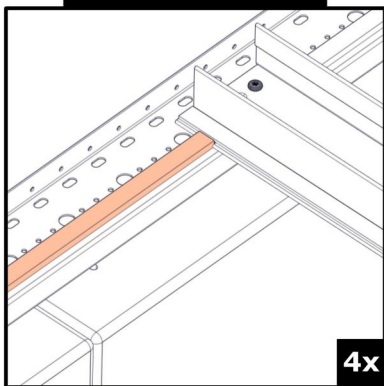
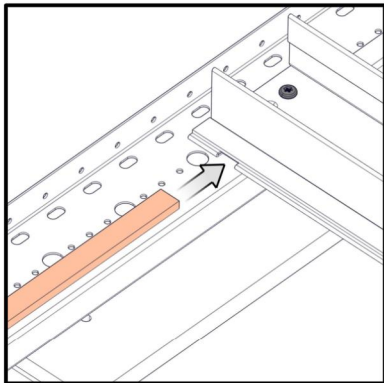
3.11



12 x 5mm

N-000002-1/000916-1

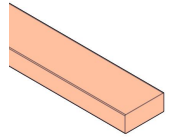
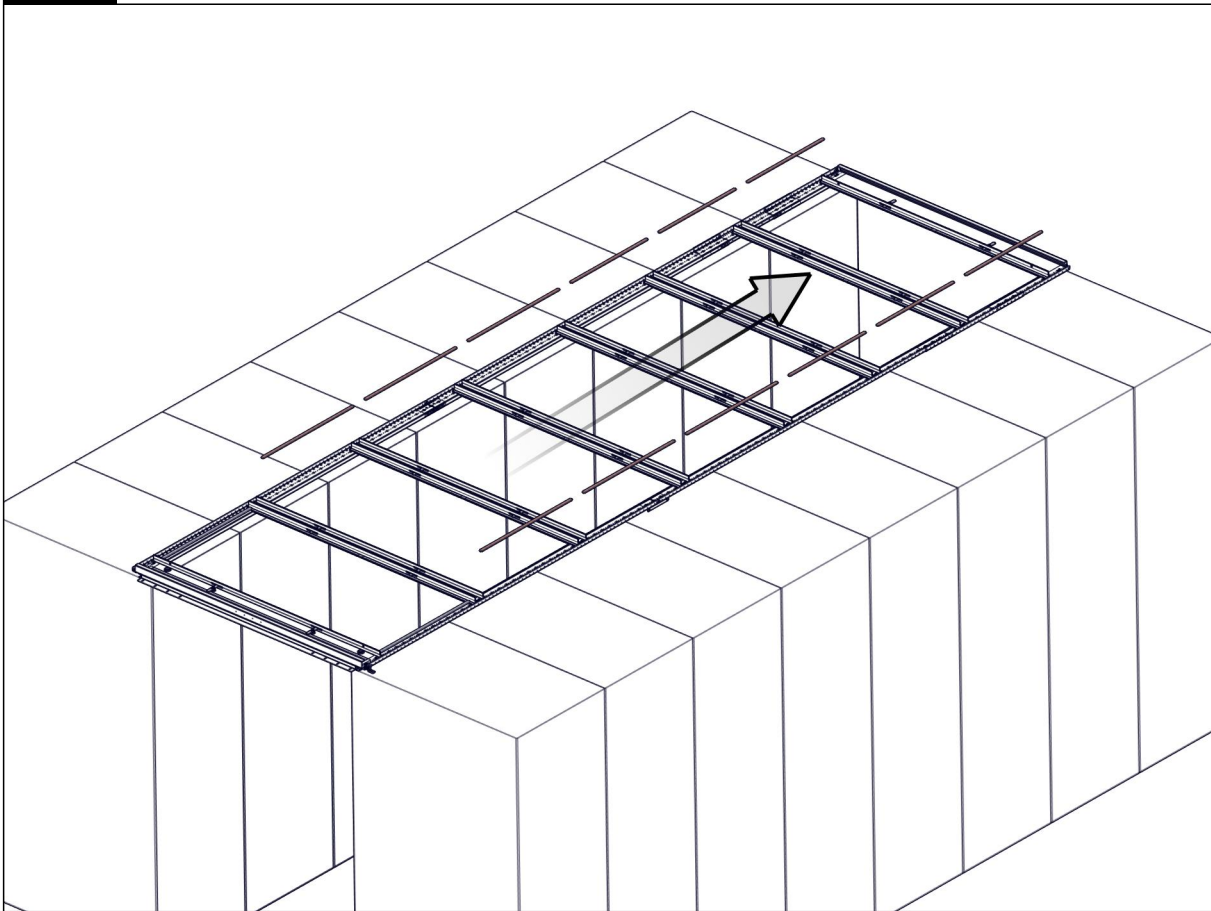
3.12



12 x 5mm

N-000002-1/000916-1

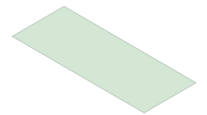
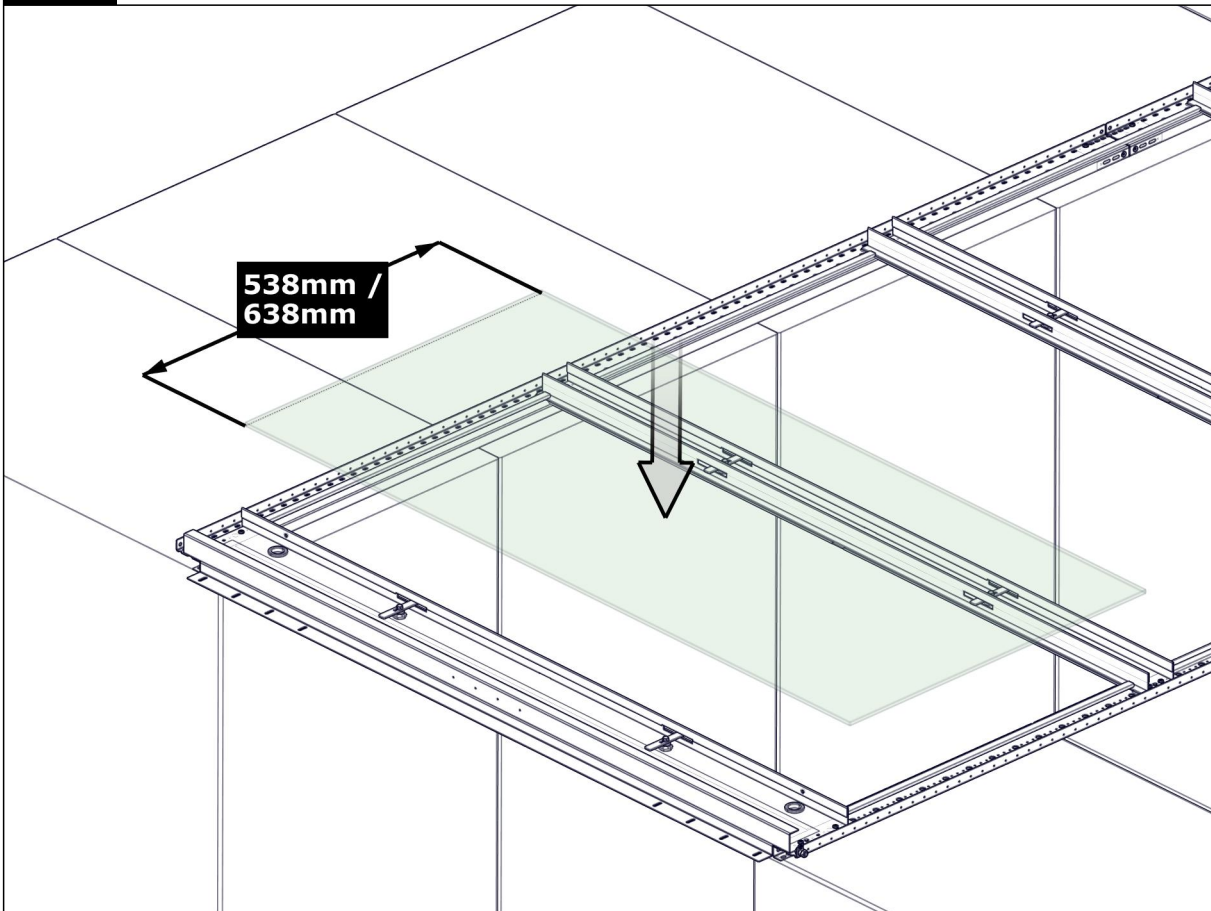
3.13



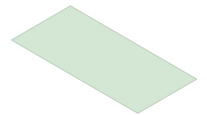
12 x 5mm

N-000002-1/000916-1

3.14



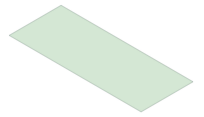
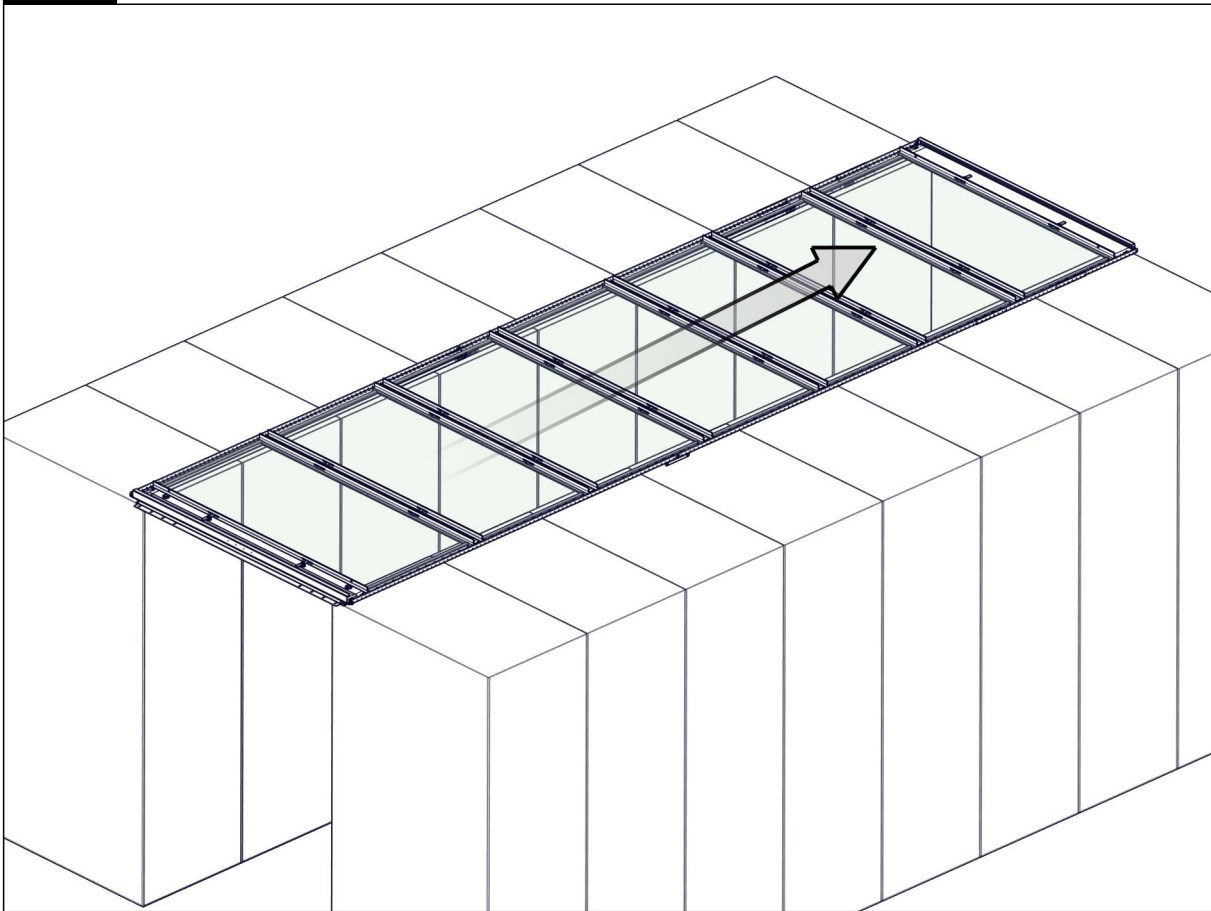
100BP-000001



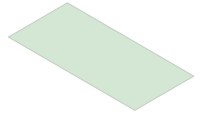
100BP-000002

N-000002-1/000916-1

3.15



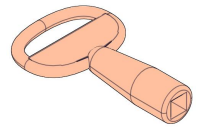
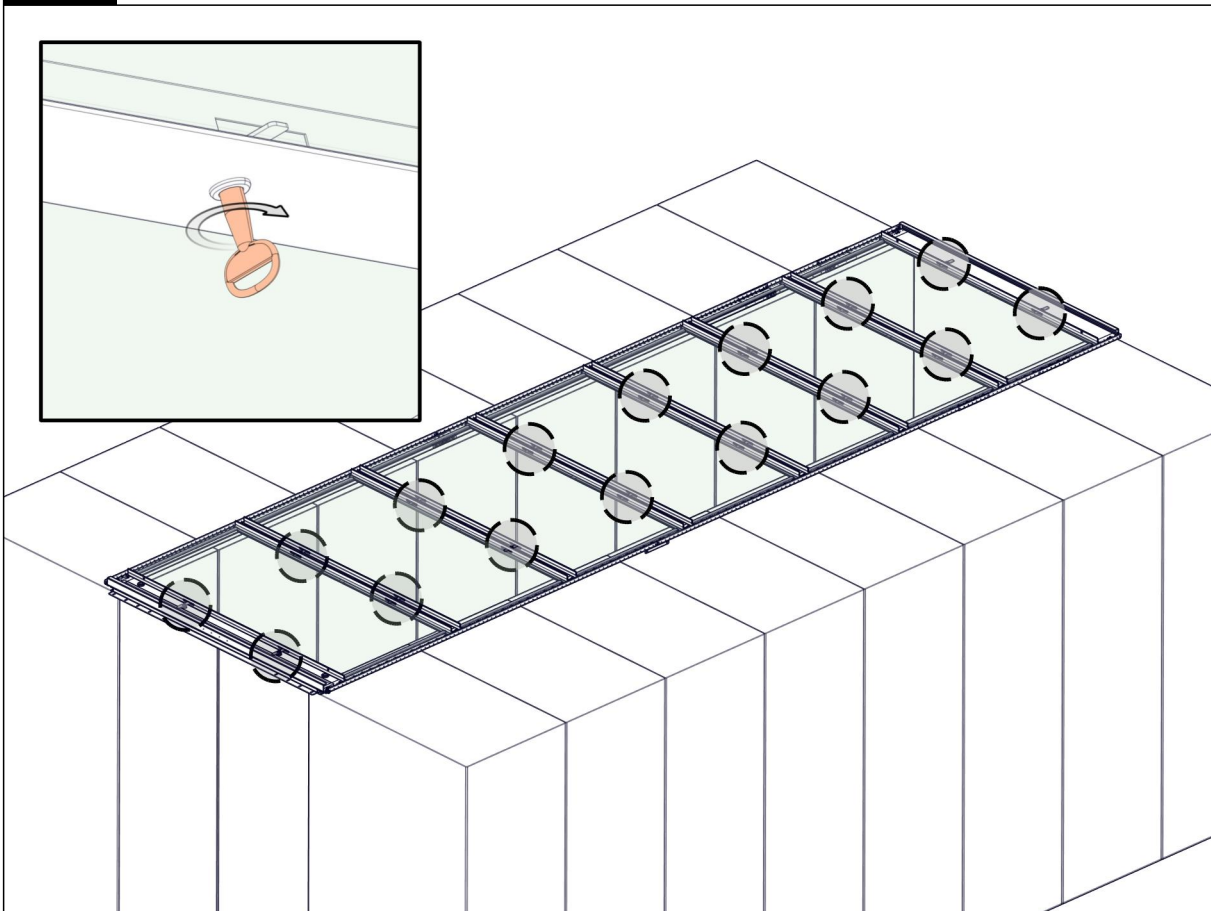
100BP-000001



100BP-000002

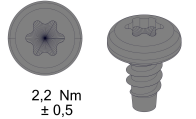
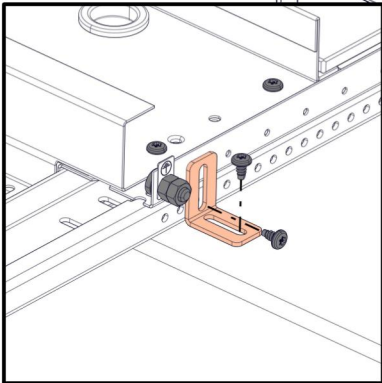
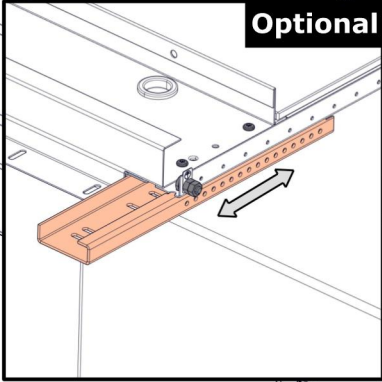
N-000002-1/000916-1

3.16



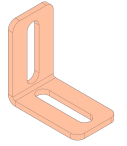
N-000002-1/000916-1

Optional

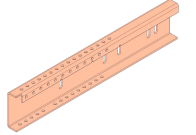


2,2 Nm
± 0,5

ST 4,8 x 8 (T25)



100BV-000001



100BW-000001



T25

N-000002-1/000918-1



A brand of  **legrand**

Minkels Nederland

Eisenhowerweg 12

Postbus 28

5460 AA Veghel

Nederland

email: info@minkels.com

tel: +31 (0)413 311 100